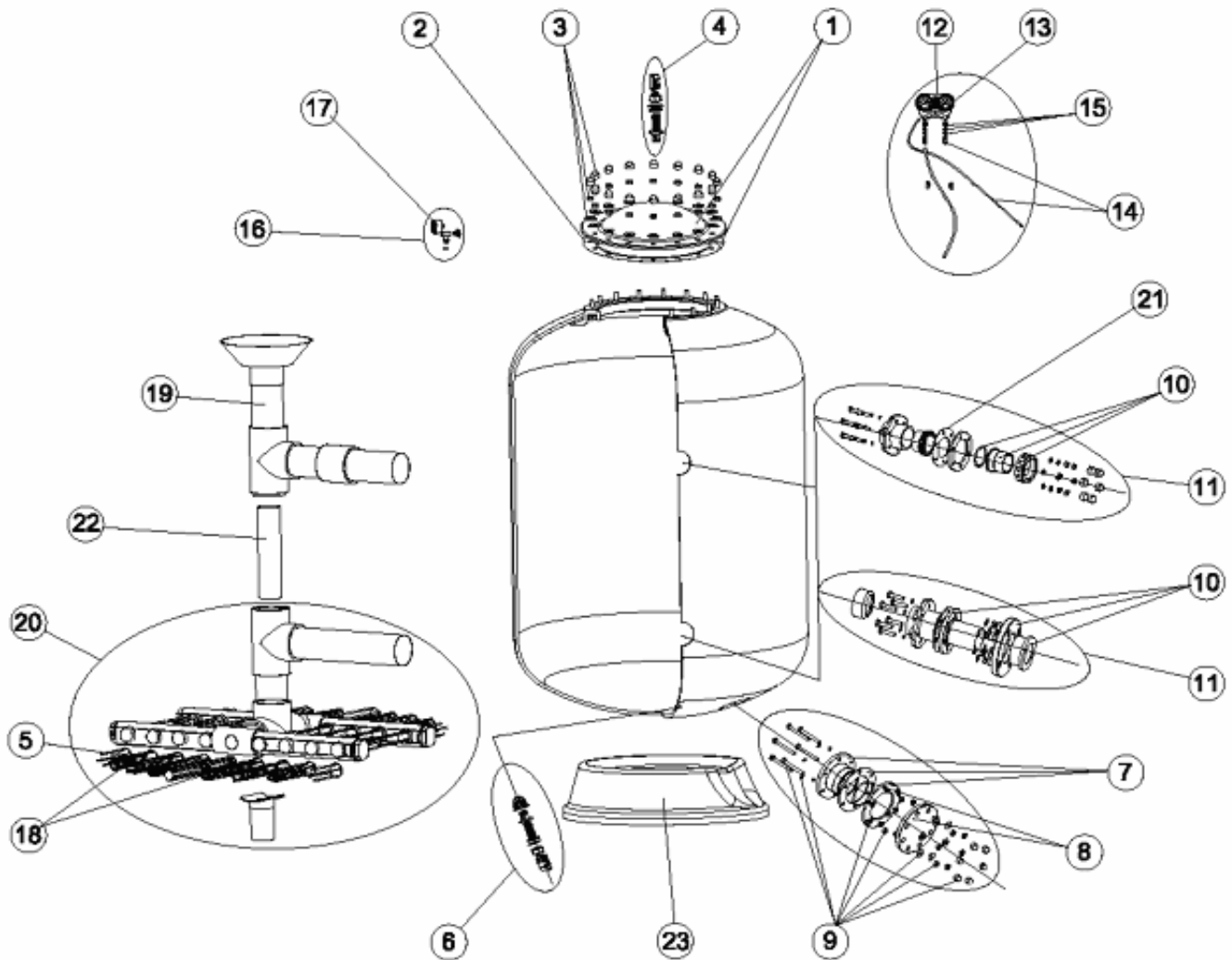


CODE **00687, 00688, 00689, 00690, 00691, 00692, 00694, 00696, 00697, 00698, 00699, 00702, 00703, 00705, 00706, 00707, 00710, 00711, 05083**

BESCHREIBUNG: **FILTER PRAGA 2,5 KG. D. 1050-1200-1400-1600**



DEUTSCHE

POS	CODE	BESCHREIBUNG	POS	CODE	BESCHREIBUNG
1	4404160105	DECKEL + DICHTUNG	9	*4404160147	SCHRANBENSATZ SANDABLAUSS D.140
2	4404160101	DICHTUNG DECKEL	10	*4404070206	3-TEILIGER ANSCHLUSS 63
3	4404160103	SCHRAUBENSATZ DECKEL	10	*4404160110	ANSCHLUSSSATZ D75
4	4404160106	*FILTERENTLÜFTUNG 3/4"***	10	*4404160111	ANSCHLUSSSATZ D90
5	*4404160818	*FILTERSTERN SCHLITZROHR 11/2" 90 MM.*	10	*4404160113	ANSCHLUSSSATZ 110
5	*4404160819	*FILTERSTERN SCHLITZROHR 11/2" 160 MM.*	10	*4404160509	ANSCHLUSSSATZ 125 1800/2000
5	*4404160820	*FILTERSTERN SCHLITZROHR 11/2" 225 MM.*	10	*4404160515	ANSCHLUSSSATZ D140 1800/2000
5	*4404160821	*FILTERSTERN SCHLITZROHR 11/2" 260 MM.*	10	*4404160610	FLANSCH MIT BUNDBUCHSE D160
5	*4404160822	*FILTERSTERN SCHLITZROHR 11/2" 325 MM.*	11	*4404161450	KIT EINLANF/ANSLANF D.63-1050
5	*4404160823	*FILTERSTERN SCHLITZROHR 11/2" 360 MM.*	11	*4404161451	KIT EINLANF/ANSLANF D.75-1050-1200
5	*4404160824	*FILTERSTERN SCHLITZROHR 11/2" 425 MM.*	11	*4404161452	KIT EINLANF/ANSLANF D.75-1400
5	*4404160825	*FILTERSTERN SCHLITZROHR 11/2" 460 MM.*	11	*4404161453	KIT EINLANF/ANSLANF D.90-1050-1200-1400
5	*4404160826	*FILTERSTERN SCHLITZROHR 11/2" 525 MM.*	11	*4404161454	KIT EINLANF/ANSLANF D.110-1400
6	4404160109	*WASSERENTLEERUNG 3/4"***	11	*4404161455	KIT EINLANF/ANSLANF D.90-1600-1800
7	*4404160107	SANDENTLEERUNG 90	11	*4404161456	KIT EINLANF/ANSLANF D.110-1600-1800-2000
7	*4404160405	ANSCHLUSSSATZ 140	11	*4404161457	KIT EINLANF/ANSLANF D.125-1600-1800
8	*4404160108	BLINDFLANSCH 90 + DICHTUNG	11	*4404161458	KIT EINLANF/ANSLANF D.140-1800
8	*4404160406	BLINDFLANSCH 140 + DICHTUNG	11	*4404161459	KIT EINLANF/ANSLANF D.125-2000
9	*4404161449	SCHRANBENSATZ SANDABLAUSS D.90	11	*4404161460	KIT EINLANF/ANSLANF D.140-2000

CODE **00687, 00688, 00689, 00690, 00691, 00692, 00694, 00696, 00697, 00698, 00699, 00702, 00703, 00705, 00706, 00707, 00710, 00711, 05083**

BESCHREIBUNG: **FILTER PRAGA 2,5 KG. D. 1050-1200-1400-1600**

11	* 4404161461	KIT EINLANF/ANSLANF D.160-2000	20	* 4404160121	UNTERER WASSERVERTEILER BP.1200-75
12	4404170105	KÖRPER MANOMETERTAFEL	20	* 4404160122	UNTERER WASSERVERTEILER BP.1200-90
13	4404170102	MANOMETER 3 KG/CM2	20	* 4404160123	UNTERER WASSERVERTEILER BP.1400-75
14	4404170104	PNEUMATIKSCHLAUCH 6/4 MM MIT VERSCHRAUBUNG	20	* 4404160124	UNTERER WASSERVERTEILER BP.1400-90
15	4404170103	ENTLÜFTUNG MANOMETERTAFEL	20	* 4404160125	UNTERER WASSERVERTEILER BP.1400-110
16	4404080104	MANOMETER + ENTLÜFTUNG	20	* 4404160126	UNTERER WASSERVERTEILER BP.1600-90 + SUPPORT
17	4404010103	"MANOMETER 1/8" 3 KG./CM"	20	* 4404160127	UNTERER WASSERVERTEILER BP.1600-110 + SUPPORT
18	* 4404161615	SET FILTERSTERN SCHLITZROHR D.1050	20	* 4404160128	UNTERER WASSERVERTEILER BP.1600-125+ SUPPORT
18	* 4404160117	SET FILTERSTERN SCHLITZROHR D.1200	20	* 4404160129	UNTERER WASSERVERTEILER BP.1800-90 + SUPPORT
18	* 4404161617	SET FILTERSTERN SCHLITZROHR D.1400	20	* 4404160130	UNTERER WASSERVERTEILER BP.1800-110 + SUPPORT
18	* 4404160118	SET FILTERSTERN SCHLITZROHR D.1600	20	* 4404160131	UNTERER WASSERVERTEILER BP.1800-125 + SUPPORT
18	* 4404160119	SET FILTERSTERN SCHLITZROHR D.1800	20	* 4404160132	UNTERER WASSERVERTEILER BP.1800-140 + SUPPORT
18	* 4404160120	SET FILTERSTERN SCHLITZROHR D.2000	20	* 4404160133	UNTERER WASSERVERTEILER BP.2000-110+ SUPPORT
19	* 4404160079	OBERER WASSERVERTEILER BP.1050-63	20	* 4404160134	UNTERER WASSERVERTEILER BP.2000-125 + SUPPORT
19	* 4404160080	OBERER WASSERVERTEILER BP.1050-75	20	* 4404160135	UNTERER WASSERVERTEILER BP.2000-140 + SUPPORT
19	* 4404160081	OBERER WASSERVERTEILER BP.1050-90	20	* 4404160136	UNTERER WASSERVERTEILER BP.2000-160 + SUPPORT
19	* 4404160082	OBERER WASSERVERTEILER BP.1200-75	21	4404160144	DICHTUNG AUSLAUF D. 63 - 75
19	* 4404160083	OBERER WASSERVERTEILER BP.1200-90	22	* 00703R0500	ZERSTREUEN DER UNTERSTÜTZUNG 1400-110
19	* 4404160084	OBERER WASSERVERTEILER BP.1400-75	22	* 00690R0500	ZERSTREUEN DER UNTERSTÜTZUNG 1600-90
19	* 4404160085	OBERER WASSERVERTEILER BP.1400-90	22	* 00697R0400	ZERSTREUEN DER UNTERSTÜTZUNG 1600-110
19	* 4404160086	OBERER WASSERVERTEILER BP.1400-110	22	* 00710R0500	ZERSTREUEN DER UNTERSTÜTZUNG 1600-125
19	* 4404160087	OBERER WASSERVERTEILER BP.1600-90	22	* 00691R0400	ZERSTREUEN DER UNTERSTÜTZUNG 1800-90
19	* 4404160088	OBERER WASSERVERTEILER BP.1600-110	22	* 00698R0400	ZERSTREUEN DER UNTERSTÜTZUNG 1800-110
19	* 4404160089	OBERER WASSERVERTEILER BP.1600-125	22	* 00705R0400	ZERSTREUEN DER UNTERSTÜTZUNG 1800-125
19	* 4404160090	OBERER WASSERVERTEILER BP.1800-90	22	* 00711R0500	ZERSTREUEN DER UNTERSTÜTZUNG 1800-140
19	* 4404160091	OBERER WASSERVERTEILER BP.1800-110	22	* 00692R0400	ZERSTREUEN DER UNTERSTÜTZUNG 2000-110
19	* 4404160092	OBERER WASSERVERTEILER BP.1800-125	22	* 00699R0400	ZERSTREUEN DER UNTERSTÜTZUNG 2000-125
19	* 4404160093	OBERER WASSERVERTEILER BP.1800-140	22	* 00706R0400	ZERSTREUEN DER UNTERSTÜTZUNG 2000-140
19	* 4404160094	OBERER WASSERVERTEILER BP.2000-110	22	* 05083R0500	ZERSTREUEN DER UNTERSTÜTZUNG 2000-160
19	* 4404160095	OBERER WASSERVERTEILER BP.2000-125	23	* 00687R0101	FUSS FILTER D 1050
19	* 4404160096	OBERER WASSERVERTEILER BP.2000-140	23	* 00546R0101	FUSS FILTER D 1200-90
19	* 4404160097	OBERER WASSERVERTEILER BP.2000-160	23	* 00689R0101	FUSS FILTER D 1400
20	* 4404160098	UNTERER WASSERVERTEILER BP.1050-63	23	* 00690R0101	FUSS FILTER D 1600-90
20	* 4404160099	UNTERER WASSERVERTEILER BP.1050-75	23	* 00691R0101	FUSS FILTER D 1800
20	* 4404160100	UNTERER WASSERVERTEILER BP.1050-90	23	* 00692R0101	FUSS FILTER 2000-110

CODE **00687, 00688, 00689, 00690, 00691, 00692, 00694, 00696, 00697, 00698, 00699, 00702, 00703, 00705, 00706, 00707, 00710, 00711, 05083**

BESCHREIBURG: **FILTER PRAGA 2,5 KG. D. 1050-1200-1400-1600**

HINWEISE

POSICIÓN	PIEZA	OBSERVACIÓN
5	4404160818	PARA (00690-2) (00697-2) (00710-2) (00691-2) (00698_2) (00705-2) (00711-2) (00692-2) (00699-2) (00699-2) (00706-2) (05083-2)
5	4404160819	PARA (00691-12) (00698-12) (00705-12) (00711-12)
5	4404160820	PARA (00687-2) (00694-2) (00707-2) (00688-2) (00702-2) (00690-10) (00697-10) (00710-10) (00692-12) (00699-12) (00706-12) (05088-12)
5	4404160821	PARA (00689-2) (00696-2) (00703-2) (00690-2) (00697-2) (00710-2)
5	4404160822	PARA (00687-2) (00694-2) (00707-2) (00689-2) (00696-2) (00703-2) (00690-3) (00697-3) (00710-3)
5	4404160823	PARA (00687-3) (00694-3) (00707-3) (00688-2) (00702-2) (00691-2) (00698-2) (00705-2) (00711-2) (00692-2) (00699-2) (00706-2) (05083-2)
5	4404160824	PARA (00688-3) (00702-3) (00691-2) (00698-2) (00705-2) (00711-2) (00692-2) (00699-2) (00706-2) (05083-2)
5	4404160825	PARA (00689-2) (00696-2) (00703-2) (00691-3) (00698-3) (00705-3) (00711-3) (00692-3) (00699-3) (00706-3) (05083-3)
5	4404160826	PARA (00689-3) (00696-3) (00703-3)
7	4404160107	PARA 00687, 00694, 00707, 00688, 00702, 00689, 00696, 00703
7	4404160405	PARA 00690, 00697, 00710, 00691, 00698, 00705, 00711, 00692, 00699, 00706, 05083
8	4404160108	PARA 00687, 00694, 00707, 00688, 00702, 00689, 00696, 00703
8	4404160406	PARA 00690, 00697, 00710, 00691, 00698, 00705, 00711, 00692, 00699, 00706, 05083
9	4404161449	PARA 00687, 00694, 00707, 00688, 00702, 00689, 00696, 00703, 00690, 00697, 00691, 00698, 00692
9	4404160147	PARA 00710, 00705, 00711, 00699, 00706, 05083
10	4404070206	PARA 00687
10	4404160110	PARA 00694, 00688, 00689
10	4404160111	PARA 00707, 00702, 00696, 00690, 00691
10	4404160113	PARA 00703, 00697, 00698, 00692
10	4404160509	PARA 00710, 00705, 00699
10	4404160515	PARA 00711, 00706
10	4404160610	PARA 05083
11	4404161450	PARA 00687
11	4404161451	PARA 00694, 00688
11	4404161452	PARA 00689
11	4404161453	PARA 00707, 00702, 00696
11	4404161454	PARA 00703
11	4404161455	PARA 00690, 00691
11	4404161456	PARA 00697, 00698, 00692
11	4404161457	PARA 00710, 00705
11	4404161458	PARA 00711
11	4404161459	PARA 00699
11	4404161460	PARA 00706
11	4404161461	PARA 05083
18	4404161615	PARA 00687, 00694, 00707
18	4404160117	PARA 00688, 00702
18	4404161617	PARA 00689, 00696, 00703
18	4404160118	PARA 00690, 00697, 00710
18	4404160119	PARA 00691, 00698, 00705, 00711
18	4404160120	PARA 00692, 00699, 00706, 05083
19	4404160079	PARA 00687
19	4404160080	PARA 00694
19	4404160081	PARA 00707
19	4404160082	PARA 00688
19	4404160083	PARA 00702
19	4404160084	PARA 00689
19	4404160085	PARA 00696
19	4404160086	PARA 00703
19	4404160087	PARA 00690
19	4404160088	PARA 00697
19	4404160089	PARA 00710
19	4404160090	PARA 00691
19	4404160091	PARA 00698
19	4404160092	PARA 00705
19	4404160093	PARA 00711
19	4404160094	PARA 00692
19	4404160095	PARA 00699
19	4404160096	PARA 00706

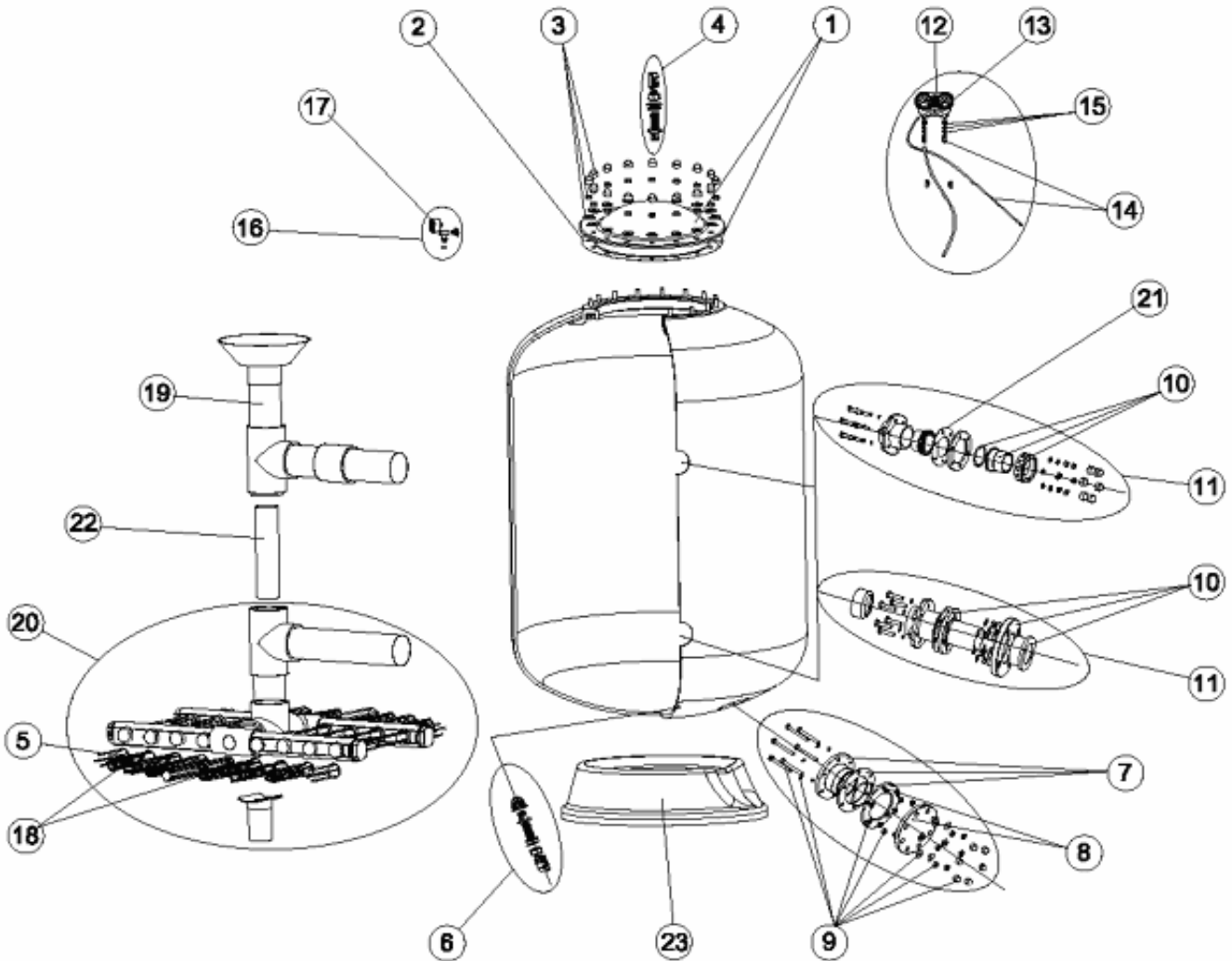
CODE **00687, 00688, 00689, 00690, 00691, 00692, 00694, 00696, 00697, 00698, 00699, 00702, 00703, 00705, 00706, 00707, 00710, 00711, 05083**

BESCHREIBUNG: **FILTER PRAGA 2,5 KG. D. 1050-1200-1400-1600**

19	4404160097	PARA 05083
20	4404160098	PARA 00687
20	4404160099	PARA 00694
20	4404160100	PARA 00707
20	4404160121	PARA 00688
20	4404160122	PARA 00702
20	4404160123	PARA 00689
20	4404160124	PARA 00696
20	4404160125	PARA 00703
20	4404160126	PARA 00690
20	4404160127	PARA 00697
20	4404160128	PARA 00710
20	4404160129	PARA 00691
20	4404160130	PARA 00698
20	4404160131	PARA 00705
20	4404160132	PARA 00711
20	4404160133	PARA 00692
20	4404160134	PARA 00699
20	4404160135	PARA 00706
20	4404160136	PARA 05083
22	00703R0500	PARA 00703
22	00690R0500	PARA 00690
22	00697R0400	PARA 00697
22	00710R0500	PARA 00710
22	00691R0400	PARA 00691
22	00698R0400	PARA 00698
22	00705R0400	PARA 00705
22	00711R0500	PARA 00711
22	00692R0400	PARA 00692
22	00699R0400	PARA 00699
22	00706R0400	PARA 00706
22	05083R0500	PARA 05083
23	00687R0101	PARA 00687, 00694, 00707
23	00546R0101	PARA 00688, 00702
23	00689R0101	PARA 00689, 00696, 00703
23	00690R0101	PARA 00690, 00697, 00710
23	00691R0101	PARA 00691, 00698, 00705, 00711
23	00692R0101	PARA 00692, 00699, 00706, 05083

CODE **00687, 00688, 00689, 00690, 00691, 00692, 00694, 00696, 00697, 00698, 00699, 00702, 00703, 00705, 00706, 00707, 00710, 00711, 05083**

DESCRIPTION: **PRAGA FILTER 2.5 KG D. 1050-1200-1400-1600**



ENGLISH

POS	CODE	DESCRIPTION	POS	CODE	DESCRIPTION
1	4404160105	FILTER LID + GASKET	9	*4404160147	SCREW SET SAND DISCHARGE D.140
2	4404160101	LID 'O' RING	10	*4404070206	3 PIECE CONNECTION 63
3	4404160103	FILTER LID BOLTS	10	*4404160110	FLANGE FITTING 75 + BUSHING
4	4404160106	"AIR PURGE 3/4"	10	*4404160111	FLANGE FITTING 90 + FITTING
5	*4404160818	MANIFOLD ARM 11/2" 90 M/M.	10	*4404160113	FLANGE FITTING 110 + FITTING
5	*4404160819	"MANIFOLD ARM 11/2" 160 M/M."	10	*4404160509	FLANGE FITTING 125 + BUSHING
5	*4404160820	"MANIFOLD ARM 11/2" 225 M/M."	10	*4404160515	FLANGE FITTING 140 + BUSHING
5	*4404160821	"MANIFOLD ARM 11/2" 260 M/M."	10	*4404160610	FLANGE 160 PVC + BUSHING
5	*4404160822	"MANIFOLD ARM 11/2" 325 M/M."	11	*4404161450	KIT INLET/ONTLET D.63-1050
5	*4404160823	"MANIFOLD ARM 11/2" 360 M/M."	11	*4404161451	KIT INLET/ONTLET D.75-1050-1200
5	*4404160824	"MANIFOLD ARM 11/2" 425 M/M."	11	*4404161452	KIT INLET/ONTLET D.75-1400
5	*4404160825	"MANIFOLD ARM 11/2" 460 M/M."	11	*4404161453	KIT INLET/ONTLET D.90-1050-1200-1400
5	*4404160826	"MANIFOLD ARM 11/2" 525 M/M."	11	*4404161454	KIT INLET/ONTLET D.110-1400
6	4404160109	"WATER PURGE 3/4"	11	*4404161455	KIT INLET/ONTLET D.90-1600-1800
7	*4404160107	SAND PURGE 90	11	*4404161456	KIT INLET/ONTLET D.110-1600-1800-2000
7	*4404160405	SAND PURGE 140	11	*4404161457	KIT INLET/ONTLET D.125-1600-1800
8	*4404160108	BLANK FLANGE 90 + GASKET	11	*4404161458	KIT INLET/ONTLET D140-1800
8	*4404160406	BLANK FLANGE 140 + GASKET	11	*4404161459	KIT INLET/ONTLET D.125-2000
9	*4404161449	SCREW SET SAND DISCHARGE D.90	11	*4404161460	KIT INLET/ONTLET D.140-2000

CODE **00687, 00688, 00689, 00690, 00691, 00692, 00694, 00696, 00697, 00698, 00699, 00702, 00703, 00705, 00706, 00707, 00710, 00711, 05083**

DESCRIPTION: **PRAGA FILTER 2.5 KG D. 1050-1200-1400-1600**

11	* 4404161461	KIT INLET/ONTLET D.160-2000	20	* 4404160121	MANIFOLD ASSEMBLY BP.1200-75
12	4404170105	PRESSURE GAUGE PANEL BODY	20	* 4404160122	MANIFOLD ASSEMBLY BP.1200-90
13	4404170102	PRESSURE GAUGE 3 BAR	20	* 4404160123	MANIFOLD ASSEMBLY BP.1400-75
14	4404170104	PRESSURE FITTINGS + TUBE	20	* 4404160124	MANIFOLD ASSEMBLY BP.1400-90
15	4404170103	AIR BLEED ASSEMBLY	20	* 4404160125	MANIFOLD ASSEMBLY BP.1400-110
16	4404080104	COMPLETE PRESSURE GAUGE UNIT	20	* 4404160126	MANIFOLD ASSEMBLY BP.1600-90 + SUPPORT
17	4404010103	"PRESSURE GAUGE 1/8" 3 KG./CM"	20	* 4404160127	MANIFOLD ASSEMBLY BP.1600-110 + SUPPORT
18	* 4404161615	MANIFOLD ARM ASSEMBLY D. 1050	20	* 4404160128	MANIFOLD ASSEMBLY BP.1600-125 + SUPPORT
18	* 4404160117	MANIFOLD ARM ASSEMBLY D. 1200	20	* 4404160129	MANIFOLD ASSEMBLY BP.1800-90 + SUPPORT
18	* 4404161617	MANIFOLD ARM ASSEMBLY D. 1400	20	* 4404160130	MANIFOLD ASSEMBLY BP.1800-110 + SUPPORT
18	* 4404160118	MANIFOLD ARM ASSEMBLY D. 1600	20	* 4404160131	MANIFOLD ASSEMBLY BP.1800-125 + SUPPORT
18	* 4404160119	MANIFOLD ARM ASSEMBLY D. 1800	20	* 4404160132	MANIFOLD ASSEMBLY BP.1800-140 + SUPPORT
18	* 4404160120	MANIFOLD ARM ASSEMBLY D. 2000	20	* 4404160133	MANIFOLD ASSEMBLY BP.2000-110 + SUPPORT
19	* 4404160079	DIFFUSER ASSEMBLY BP.1050-63	20	* 4404160134	MANIFOLD ASSEMBLY BP.2000-125 + SUPPORT
19	* 4404160080	DIFFUSER ASSEMBLY BP.1050-75	20	* 4404160135	MANIFOLD ASSEMBLY BP.2000-140 + SUPPORT
19	* 4404160081	DIFFUSER ASSEMBLY BP.1050-90	20	* 4404160136	MANIFOLD ASSEMBLY BP.2000-160 + SUPPORT
19	* 4404160082	DIFFUSER ASSEMBLY BP.1200-75	21	4404160144	GASKET OUTLET D. 63 - 75
19	* 4404160083	DIFFUSER ASSEMBLY BP.1200-90	22	* 00703R0500	SOPORTE DIFUSOR FILTRO 1.400 - 110
19	* 4404160084	DIFFUSER ASSEMBLY BP.1400-75	22	* 00690R0500	DIFFUSER SUPPORT D.1600-90
19	* 4404160085	DIFFUSER ASSEMBLY BP.1400-90	22	* 00697R0400	DIFFUSER SUPPORT D.1600-110
19	* 4404160086	DIFFUSER ASSEMBLY BP.1400-110	22	* 00710R0500	DIFFUSER SUPPORT D.1600-125
19	* 4404160087	DIFFUSER ASSEMBLY BP.1600-90	22	* 00691R0400	DIFFUSER SUPPORT D.1800-90
19	* 4404160088	DIFFUSER ASSEMBLY BP.1600-110	22	* 00698R0400	DIFFUSER SUPPORT D.1800-110
19	* 4404160089	DIFFUSER ASSEMBLY BP.1600-125	22	* 00705R0400	DIFFUSER SUPPORT D.1800-125
19	* 4404160090	DIFFUSER ASSEMBLY BP.1800-90	22	* 00711R0500	DIFFUSER SUPPORT D.1800-140
19	* 4404160091	DIFFUSER ASSEMBLY BP.1800-110	22	* 00692R0400	DIFFUSER SUPPORT D.2000-110
19	* 4404160092	DIFFUSER ASSEMBLY BP.1800-125	22	* 00699R0400	DIFFUSER SUPPORT D.2000-125
19	* 4404160093	DIFFUSER ASSEMBLY BP.1800-140	22	* 00706R0400	DIFFUSER SUPPORT D.2000-140
19	* 4404160094	DIFFUSER ASSEMBLY BP.2000-110	22	* 05083R0500	DIFFUSER SUPPORT D.2000-160
19	* 4404160095	DIFFUSER ASSEMBLY BP.2000-125	23	* 00687R0101	FILTER BASE D. 1050
19	* 4404160096	DIFFUSER ASSEMBLY BP.2000-140	23	* 00546R0101	FILTER BASE D. 1200-90
19	* 4404160097	DIFFUSER ASSEMBLY BP.2000-160	23	* 00689R0101	FILTER BASE D. 1400
20	* 4404160098	MANIFOLD ASSEMBLY BP.1050-63	23	* 00690R0101	FILTER BASE D. 1600 - 90
20	* 4404160099	MANIFOLD ASSEMBLY BP.1050-75	23	* 00691R0101	FILTER BASE D. 1800
20	* 4404160100	MANIFOLD ASSEMBLY BP.1050-90	23	* 00692R0101	FILTER BASE 2000-110

CODE **00687, 00688, 00689, 00690, 00691, 00692, 00694, 00696, 00697, 00698, 00699, 00702, 00703, 00705, 00706, 00707, 00710, 00711, 05083**

DESCRIPTION: **PRAGA FILTER 2.5 KG D. 1050-1200-1400-1600**

OBSERVATIONS

POSICIÓN	PIEZA	OBSERVACIÓN
5	4404160818	PARA (00690-2) (00697-2) (00710-2) (00691-2) (00698_2) (00705-2) (00711-2) (00692-2) (00699-2) (00699-2) (00706-2) (05083-2)
5	4404160819	PARA (00691-12) (00698-12) (00705-12) (00711-12)
5	4404160820	PARA (00687-2) (00694-2) (00707-2) (00688-2) (00702-2) (00690-10) (00697-10) (00710-10) (00692-12) (00699-12) (00706-12) (05088-12)
5	4404160821	PARA (00689-2) (00696-2) (00703-2) (00690-2) (00697-2) (00710-2)
5	4404160822	PARA (00687-2) (00694-2) (00707-2) (00689-2) (00696-2) (00703-2) (00690-3) (00697-3) (00710-3)
5	4404160823	PARA (00687-3) (00694-3) (00707-3) (00688-2) (00702-2) (00691-2) (00698-2) (00705-2) (00711-2) (00692-2) (00699-2) (00706-2) (05083-2)
5	4404160824	PARA (00688-3) (00702-3) (00691-2) (00698-2) (00705-2) (00711-2) (00692-2) (00699-2) (00706-2) (05083-2)
5	4404160825	PARA (00689-2) (00696-2) (00703-2) (00691-3) (00698-3) (00705-3) (00711-3) (00692-3) (00699-3) (00706-3) (05083-3)
5	4404160826	PARA (00689-3) (00696-3) (00703-3)
7	4404160107	PARA 00687, 00694, 00707, 00688, 00702, 00689, 00696, 00703
7	4404160405	PARA 00690, 00697, 00710, 00691, 00698, 00705, 00711, 00692, 00699, 00706, 05083
8	4404160108	PARA 00687, 00694, 00707, 00688, 00702, 00689, 00696, 00703
8	4404160406	PARA 00690, 00697, 00710, 00691, 00698, 00705, 00711, 00692, 00699, 00706, 05083
9	4404161449	PARA 00687, 00694, 00707, 00688, 00702, 00689, 00696, 00703, 00690, 00697, 00691, 00698, 00692
9	4404160147	PARA 00710, 00705, 00711, 00699, 00706, 05083
10	4404070206	PARA 00687
10	4404160110	PARA 00694, 00688, 00689
10	4404160111	PARA 00707, 00702, 00696, 00690, 00691
10	4404160113	PARA 00703, 00697, 00698, 00692
10	4404160509	PARA 00710, 00705, 00699
10	4404160515	PARA 00711, 00706
10	4404160610	PARA 05083
11	4404161450	PARA 00687
11	4404161451	PARA 00694, 00688
11	4404161452	PARA 00689
11	4404161453	PARA 00707, 00702, 00696
11	4404161454	PARA 00703
11	4404161455	PARA 00690, 00691
11	4404161456	PARA 00697, 00698, 00692
11	4404161457	PARA 00710, 00705
11	4404161458	PARA 00711
11	4404161459	PARA 00699
11	4404161460	PARA 00706
11	4404161461	PARA 05083
18	4404161615	PARA 00687, 00694, 00707
18	4404160117	PARA 00688, 00702
18	4404161617	PARA 00689, 00696, 00703
18	4404160118	PARA 00690, 00697, 00710
18	4404160119	PARA 00691, 00698, 00705, 00711
18	4404160120	PARA 00692, 00699, 00706, 05083
19	4404160079	PARA 00687
19	4404160080	PARA 00694
19	4404160081	PARA 00707
19	4404160082	PARA 00688
19	4404160083	PARA 00702
19	4404160084	PARA 00689
19	4404160085	PARA 00696
19	4404160086	PARA 00703
19	4404160087	PARA 00690
19	4404160088	PARA 00697
19	4404160089	PARA 00710
19	4404160090	PARA 00691
19	4404160091	PARA 00698
19	4404160092	PARA 00705
19	4404160093	PARA 00711
19	4404160094	PARA 00692
19	4404160095	PARA 00699
19	4404160096	PARA 00706

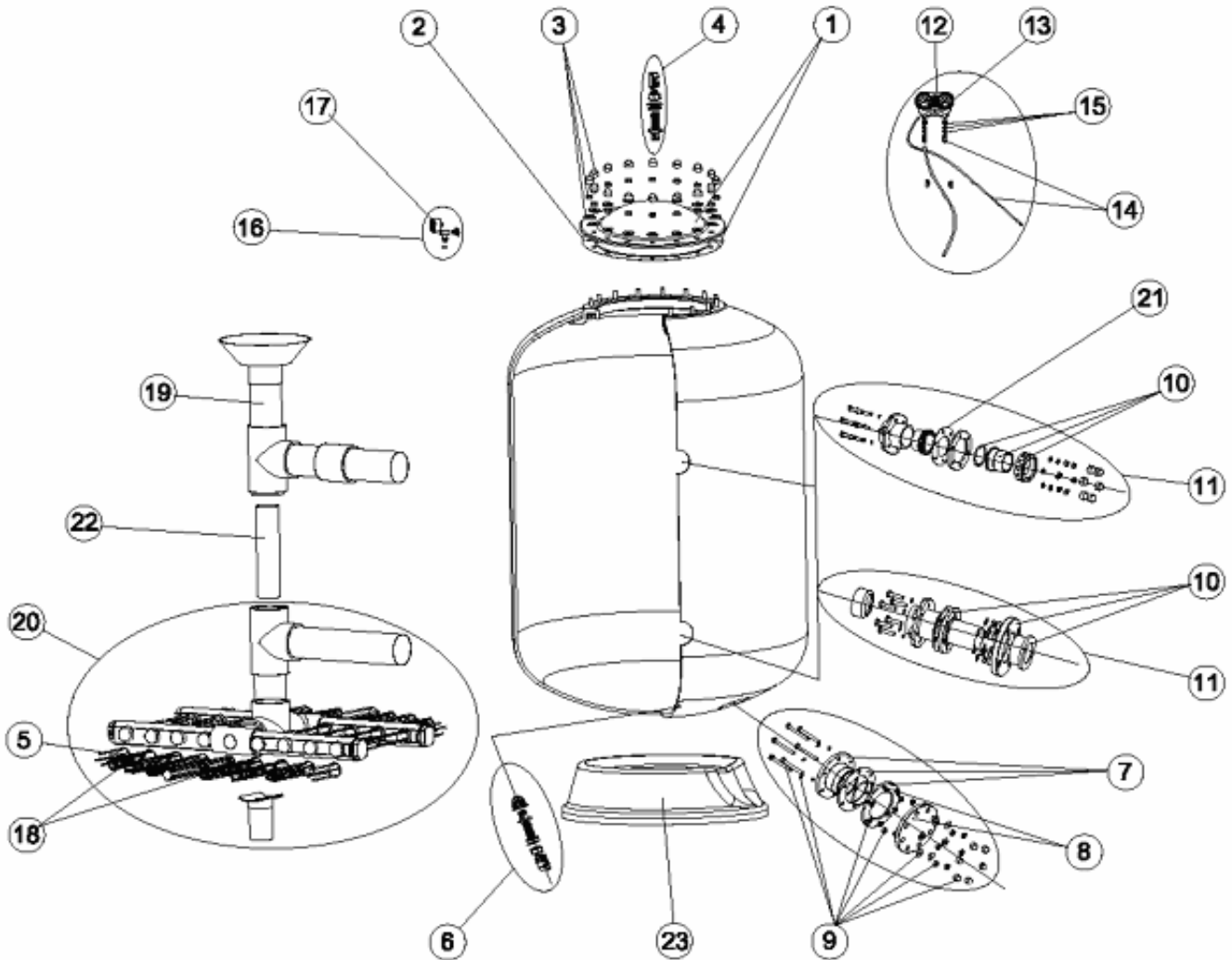
CODE **00687, 00688, 00689, 00690, 00691, 00692, 00694, 00696, 00697, 00698, 00699, 00702, 00703, 00705, 00706, 00707, 00710, 00711, 05083**

DESCRIPTION: **PRAGA FILTER 2.5 KG D. 1050-1200-1400-1600**

19	4404160097	PARA 05083
20	4404160098	PARA 00687
20	4404160099	PARA 00694
20	4404160100	PARA 00707
20	4404160121	PARA 00688
20	4404160122	PARA 00702
20	4404160123	PARA 00689
20	4404160124	PARA 00696
20	4404160125	PARA 00703
20	4404160126	PARA 00690
20	4404160127	PARA 00697
20	4404160128	PARA 00710
20	4404160129	PARA 00691
20	4404160130	PARA 00698
20	4404160131	PARA 00705
20	4404160132	PARA 00711
20	4404160133	PARA 00692
20	4404160134	PARA 00699
20	4404160135	PARA 00706
20	4404160136	PARA 05083
22	00703R0500	PARA 00703
22	00690R0500	PARA 00690
22	00697R0400	PARA 00697
22	00710R0500	PARA 00710
22	00691R0400	PARA 00691
22	00698R0400	PARA 00698
22	00705R0400	PARA 00705
22	00711R0500	PARA 00711
22	00692R0400	PARA 00692
22	00699R0400	PARA 00699
22	00706R0400	PARA 00706
22	05083R0500	PARA 05083
23	00687R0101	PARA 00687, 00694, 00707
23	00546R0101	PARA 00688, 00702
23	00689R0101	PARA 00689, 00696, 00703
23	00690R0101	PARA 00690, 00697, 00710
23	00691R0101	PARA 00691, 00698, 00705, 00711
23	00692R0101	PARA 00692, 00699, 00706, 05083

CODIGO **00687, 00688, 00689, 00690, 00691, 00692, 00694, 00696, 00697, 00698, 00699, 00702, 00703, 00705, 00706, 00707, 00710, 00711, 05083**

DESCRIPCION: **FILTRO PRAGA 2,5 KG. D. 1050-1200-1400-1600-1800-2000**



ESPAÑOL

POS	CODIGO	DESCRIPCION	POS	CODIGO	DESCRIPCION
1	4404160105	TAPA FILTRO + JUNTA	9	* 4404160147	CJTO. TORNILLERIA DESCARGA ARENA D.140
2	4404160101	JUNTA TORICA TAPA	10	* 4404070206	TUERCA ENLACE 3 PIEZAS 63
3	4404160103	TORNILLERIA TAPA FILTRO	10	* 4404160110	BRIDA RACORD 75 + MANGUITO
4	4404160106	PURGA AIRE 3/4"	10	* 4404160111	BRIDA RACORD 90 + MANGUITO
5	* 4404160818	BRAZO COLECTOR 11/2" 90 MM.	10	* 4404160113	BRIDA RACORD 110 + MANGUITO
5	* 4404160819	BRAZO COLECTOR 11/2" 160 MM.	10	* 4404160509	BRIDA RACORD 125 + MANGUITO
5	* 4404160820	BRAZO COLECTOR 11/2" 225 MM.	10	* 4404160515	BRIDA RACORD 140 + MANGUITO
5	* 4404160821	BRAZO COLECTOR 11/2" 260 MM.	10	* 4404160610	BRIDA 160 PVC + MANGUITO
5	* 4404160822	BRAZO COLECTOR 11/2" 325 MM.	11	* 4404161450	CJTO. ENTRADA SALIDA D. 63-75-1050
5	* 4404160823	BRAZO COLECTOR 11/2" 360 MM.	11	* 4404161451	CJTO. ENTRADA SALIDA D.75-1050-1200
5	* 4404160824	BRAZO COLECTOR 11/2" 425 MM.	11	* 4404161452	CJTO. ENTRADA SALIDA D.75-1400
5	* 4404160825	BRAZO COLECTOR 11/2" 460 MM.	11	* 4404161453	CJTO. ENTRADA SALIDA D.90-1050-1200-1400
5	* 4404160826	BRAZO COLECTOR 11/2" 525 MM.	11	* 4404161454	CJTO. ENTRADA SALIDA D. 110-1400
6	4404160109	PURGA AGUA 3/4"	11	* 4404161455	CJTO. ENTRADA SALIDA D.90-1600-1800
7	* 4404160107	PURGA ARENA 90	11	* 4404161456	CJTO. ENTRADA SALIDA D. 110-1600-1800-2000
7	* 4404160405	PURGA ARENA 140	11	* 4404161457	CJTO. ENTRADA SALIDA D.125-1600-1800
8	* 4404160108	BRIDA CIEGA 90 + JUNTA	11	* 4404161458	CJTO. ENTRADA SALIDA D.140-1800
8	* 4404160406	BRIDA CIEGA 140 + JUNTA	11	* 4404161459	CJTO. ENTRADA SALIDA D.125-2000
9	* 4404161449	CJTO. TORNILLERIA DESCARGA ARENA D.90	11	* 4404161460	CJTO. ENTRADA SALIDA D.140-2000

CODIGO 00687, 00688, 00689, 00690, 00691, 00692, 00694, 00696, 00697, 00698, 00699, 00702, 00703, 00705, 00706, 00707, 00710, 00711, 05083

DESCRIPCION: FILTRO PRAGA 2,5 KG. D. 1050-1200-1400-1600-1800-2000

11	* 4404161461	CJTO. ENTRADA SALIDA D.160-2000	20	* 4404160121	CONJUNTO COLECTOR BP:1200-75
12	4404170105	CUERPO PANEL MANOMETROS	20	* 4404160122	CONJUNTO COLECTOR BP:1200-90
13	4404170102	MANOMETRO 3 ATM.	20	* 4404160123	CONJUNTO COLECTOR BP:1400-75
14	4404170104	RACORD PANEL + TUBO	20	* 4404160124	CONJUNTO COLECTOR BP:1400-90
15	4404170103	PURGA PANEL MANOMETROS	20	* 4404160125	CONJUNTO COLECTOR BP:1400-110
16	4404080104	MANOMETRO COMPLETO	20	* 4404160126	CONJUNTO COLECTOR BP:1600-90 + SOPORTE
17	4404010103	MANOMETRO 1/8" 3 KG./CM	20	* 4404160127	CONJUNTO COLECTOR BP:1600-110 + SOPORTE
18	* 4404161615	CJTO. BRAZOS COLECTOR D.1050	20	* 4404160128	CONJUNTO COLECTOR BP:1600-125 + SOPORTE
18	* 4404160117	CJTO. BRAZOS COLECTOR D.1200	20	* 4404160129	CONJUNTO COLECTOR BP:1800-90 + SOPORTE
18	* 4404161617	CJTO. BRAZOS COLECTOR D.1400	20	* 4404160130	CONJUNTO COLECTOR BP:1800-110 + SOPORTE
18	* 4404160118	CJTO. BRAZOS COLECTOR D.1600	20	* 4404160131	CONJUNTO COLECTOR BP:1800-125 + SOPORTE
18	* 4404160119	CJTO. BRAZOS COLECTOR D.1800	20	* 4404160132	CONJUNTO COLECTOR BP:1800-140 + SOPORTE
18	* 4404160120	CJTO. BRAZOS COLECTOR D.2000	20	* 4404160133	CONJUNTO COLECTOR BP:2000-110 + SOPORTE
19	* 4404160079	CONJUNTO DIFUSOR BP:1050-63	20	* 4404160134	CONJUNTO COLECTOR BP:2000-125 + SOPORTE
19	* 4404160080	CONJUNTO DIFUSOR BP:1050-75	20	* 4404160135	CONJUNTO COLECTOR BP:2000-140 + SOPORTE
19	* 4404160081	CONJUNTO DIFUSOR BP:1050-90	20	* 4404160136	CONJUNTO COLECTOR BP:2000-160 + SOPORTE
19	* 4404160082	CONJUNTO DIFUSOR BP:1200-75	21	4404160144	JUNTA SALIDA D. 63 - 75
19	* 4404160083	CONJUNTO DIFUSOR BP:1200-90	22	* 00703R0500	SOPORTE DIFUSOR FILTRO 1.400 - 110
19	* 4404160084	CONJUNTO DIFUSOR BP:1400-75	22	* 00690R0500	SOPORTE DIFUSOR 1600-90
19	* 4404160085	CONJUNTO DIFUSOR BP:1400-90	22	* 00697R0400	SOPORTE DIFUSOR 1600-110
19	* 4404160086	CONJUNTO DIFUSOR BP:1400-110	22	* 00710R0500	SOPORTE DIFUSOR 1600-125
19	* 4404160087	CONJUNTO DIFUSOR BP:1600-90	22	* 00691R0400	SOPORTE DIFUSOR 1800-90
19	* 4404160088	CONJUNTO DIFUSOR BP:1600-110	22	* 00698R0400	SOPORTE DIFUSOR 1800 D.110
19	* 4404160089	CONJUNTO DIFUSOR BP:1600-125	22	* 00705R0400	SOPORTE DIFUSOR 1800-125
19	* 4404160090	CONJUNTO DIFUSOR BP:1800-90	22	* 00711R0500	SOPORTE DIFUSOR 1800-140
19	* 4404160091	CONJUNTO DIFUSOR BP:1800-110	22	* 00692R0400	SOPORTE DIFUSOR 2000 D.110
19	* 4404160092	CONJUNTO DIFUSOR BP:1800-125	22	* 00699R0400	SOPORTE DIFUSOR 2000 D.125
19	* 4404160093	CONJUNTO DIFUSOR BP:1800-140	22	* 00706R0400	SOPORTE DIFUSOR 2000-140
19	* 4404160094	CONJUNTO DIFUSOR BP:2000-110	22	* 05083R0500	SOPORTE DIFUSOR 2000 D.160
19	* 4404160095	CONJUNTO DIFUSOR BP:2000-125	23	* 00687R0101	PIE FILTRO 1.050
19	* 4404160096	CONJUNTO DIFUSOR BP:2000-140	23	* 00546R0101	PIE FILTRO 1200-90
19	* 4404160097	CONJUNTO DIFUSOR BP:2000-160	23	* 00689R0101	PIE FILTRO D.1400
20	* 4404160098	CONJUNTO COLECTOR BP:1050-63	23	* 00690R0101	PIE FILTRO 1.600 - 90
20	* 4404160099	CONJUNTO COLECTOR BP:1050-75	23	* 00691R0101	PIE FILTRO 1.800
20	* 4404160100	CONJUNTO COLECTOR BP:1050-90	23	* 00692R0101	PIE FILTRO 2.000 - 110

CODIGO 00687, 00688, 00689, 00690, 00691, 00692, 00694, 00696, 00697, 00698, 00699, 00702, 00703, 00705, 00706, 00707, 00710, 00711, 05083

DESCRIPCION: FILTRO PRAGA 2,5 KG. D. 1050-1200-1400-1600-1800-2000

OBSERVACIONES

POSICIÓN	PIEZA	OBSERVACIÓN
5	4404160818	PARA (00690-2) (00697-2) (00710-2) (00691-2) (00698_2) (00705-2) (00711-2) (00692-2) (00699-2) (00699-2) (00706-2) (05083-2)
5	4404160819	PARA (00691-12) (00698-12) (00705-12) (00711-12)
5	4404160820	PARA (00687-2) (00694-2) (00707-2) (00688-2) (00702-2) (00690-10) (00697-10) (00710-10) (00692-12) (00699-12) (00706-12) (05088-12)
5	4404160821	PARA (00689-2) (00696-2) (00703-2) (00690-2) (00697-2) (00710-2)
5	4404160822	PARA (00687-2) (00694-2) (00707-2) (00689-2) (00696-2) (00703-2) (00690-3) (00697-3) (00710-3)
5	4404160823	PARA (00687-3) (00694-3) (00707-3) (00688-2) (00702-2) (00691-2) (00698-2) (00705-2) (00711-2) (00692-2) (00699-2) (00706-2) (05083-2)
5	4404160824	PARA (00688-3) (00702-3) (00691-2) (00698-2) (00705-2) (00711-2) (00692-2) (00699-2) (00706-2) (05083-2)
5	4404160825	PARA (00689-2) (00696-2) (00703-2) (00691-3) (00698-3) (00705-3) (00711-3) (00692-3) (00699-3) (00706-3) (05083-3)
5	4404160826	PARA (00689-3) (00696-3) (00703-3)
7	4404160107	PARA 00687, 00694, 00707, 00688, 00702, 00689, 00696, 00703
7	4404160405	PARA 00690, 00697, 00710, 00691, 00698, 00705, 00711, 00692, 00699, 00706, 05083
8	4404160108	PARA 00687, 00694, 00707, 00688, 00702, 00689, 00696, 00703
8	4404160406	PARA 00690, 00697, 00710, 00691, 00698, 00705, 00711, 00692, 00699, 00706, 05083
9	4404161449	PARA 00687, 00694, 00707, 00688, 00702, 00689, 00696, 00703, 00690, 00697, 00691, 00698, 00692
9	4404160147	PARA 00710, 00705, 00711, 00699, 00706, 05083
10	4404070206	PARA 00687
10	4404160110	PARA 00694, 00688, 00689
10	4404160111	PARA 00707, 00702, 00696, 00690, 00691
10	4404160113	PARA 00703, 00697, 00698, 00692
10	4404160509	PARA 00710, 00705, 00699
10	4404160515	PARA 00711, 00706
10	4404160610	PARA 05083
11	4404161450	PARA 00687
11	4404161451	PARA 00694, 00688
11	4404161452	PARA 00689
11	4404161453	PARA 00707, 00702, 00696
11	4404161454	PARA 00703
11	4404161455	PARA 00690, 00691
11	4404161456	PARA 00697, 00698, 00692
11	4404161457	PARA 00710, 00705
11	4404161458	PARA 00711
11	4404161459	PARA 00699
11	4404161460	PARA 00706
11	4404161461	PARA 05083
18	4404161615	PARA 00687, 00694, 00707
18	4404160117	PARA 00688, 00702
18	4404161617	PARA 00689, 00696, 00703
18	4404160118	PARA 00690, 00697, 00710
18	4404160119	PARA 00691, 00698, 00705, 00711
18	4404160120	PARA 00692, 00699, 00706, 05083
19	4404160079	PARA 00687
19	4404160080	PARA 00694
19	4404160081	PARA 00707
19	4404160082	PARA 00688
19	4404160083	PARA 00702
19	4404160084	PARA 00689
19	4404160085	PARA 00696
19	4404160086	PARA 00703
19	4404160087	PARA 00690
19	4404160088	PARA 00697
19	4404160089	PARA 00710
19	4404160090	PARA 00691
19	4404160091	PARA 00698
19	4404160092	PARA 00705
19	4404160093	PARA 00711
19	4404160094	PARA 00692
19	4404160095	PARA 00699
19	4404160096	PARA 00706

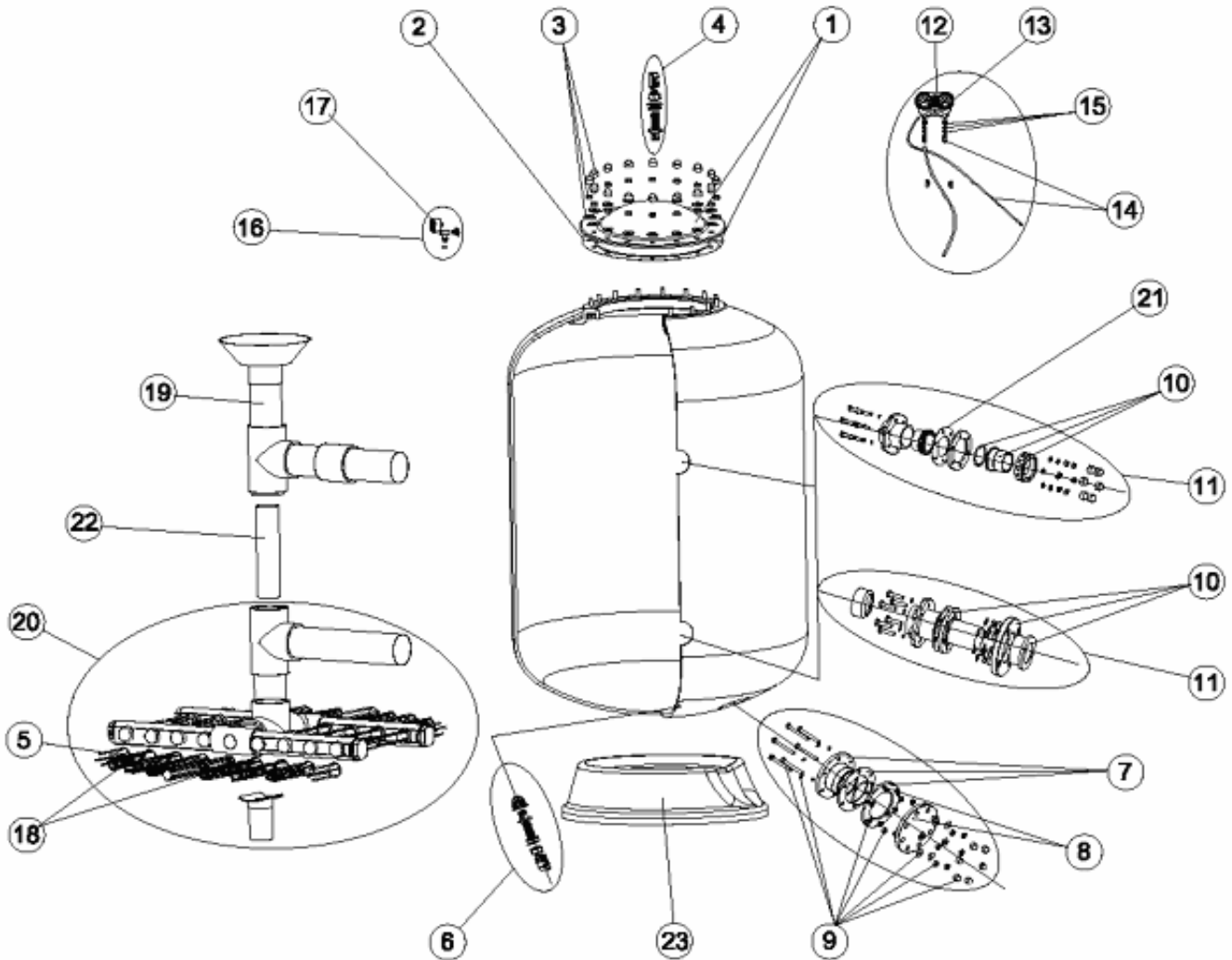
CODIGO 00687, 00688, 00689, 00690, 00691, 00692, 00694, 00696, 00697, 00698, 00699, 00702, 00703, 00705, 00706, 00707, 00710, 00711, 05083

DESCRIPCION: FILTRO PRAGA 2,5 KG. D. 1050-1200-1400-1600-1800-2000

19	4404160097	PARA 05083
20	4404160098	PARA 00687
20	4404160099	PARA 00694
20	4404160100	PARA 00707
20	4404160121	PARA 00688
20	4404160122	PARA 00702
20	4404160123	PARA 00689
20	4404160124	PARA 00696
20	4404160125	PARA 00703
20	4404160126	PARA 00690
20	4404160127	PARA 00697
20	4404160128	PARA 00710
20	4404160129	PARA 00691
20	4404160130	PARA 00698
20	4404160131	PARA 00705
20	4404160132	PARA 00711
20	4404160133	PARA 00692
20	4404160134	PARA 00699
20	4404160135	PARA 00706
20	4404160136	PARA 05083
22	00703R0500	PARA 00703
22	00690R0500	PARA 00690
22	00697R0400	PARA 00697
22	00710R0500	PARA 00710
22	00691R0400	PARA 00691
22	00698R0400	PARA 00698
22	00705R0400	PARA 00705
22	00711R0500	PARA 00711
22	00692R0400	PARA 00692
22	00699R0400	PARA 00699
22	00706R0400	PARA 00706
22	05083R0500	PARA 05083
23	00687R0101	PARA 00687, 00694, 00707
23	00546R0101	PARA 00688, 00702
23	00689R0101	PARA 00689, 00696, 00703
23	00690R0101	PARA 00690, 00697, 00710
23	00691R0101	PARA 00691, 00698, 00705, 00711
23	00692R0101	PARA 00692, 00699, 00706, 05083

CODE 00687, 00688, 00689, 00690, 00691, 00692, 00694, 00696, 00697, 00698, 00699, 00702, 00703, 00705, 00706, 00707, 00710, 00711, 05083

DESCRIPTION: **FILTRE PRAGA 2,5 KG. D. 1050-1200-1400-1600**



FRANCAIS

POS	CODE	DESCRIPTION	POS	CODE	DESCRIPTION
1	4404160105	COUVERCLE FILTRE + JOINT	9	*4404160147	ENSEMBLE VOISSERIE DÉCHARGE SABLE .140
2	4404160101	JOINT TORIQUE COUVERCLE	10	*4404070206	ECROU RACCORD 3 PIECES 63
3	4404160103	VISSERIE COUVERCLE DE FILTRE	10	*4404160110	BRIDE RACCORD 75 + MANCHON
4	4404160106	*"PURGE D'AIR 3/4""	10	*4404160111	BRIDE RACCORD 90 + RACCORD
5	*4404160818	*"BRAS DE REPARTITEUR 11/2"" 90 M/M."	10	*4404160113	BRIDE RACCORD 110 + RACCORD
5	*4404160819	*"BRAS DE REPARTITEUR 11/2"" 160 M/M."	10	*4404160509	BRIDE RACCORD 125 + RACCORD
5	*4404160820	*"BRAS DE REPARTITEUR 11/2"" 225 M/M."	10	*4404160515	BRIDE RACCORD 140 + RACCORD
5	*4404160821	*"BRAS DE REPARTITEUR 11/2"" 260 M/M."	10	*4404160610	BRIDE 160 PVC + RACCORD
5	*4404160822	*"BRAS DE REPARTITEUR 11/2"" 325 M/M."	11	*4404161450	ENTRÉE SORTIE D.63-1050
5	*4404160823	*"BRAS DE REPARTITEUR 11/2"" 360 M/M."	11	*4404161451	ENTRÉE SORTIE D.75-1050-1200
5	*4404160824	*"BRAS DE REPARTITEUR 11/2"" 425 M/M."	11	*4404161452	ENTRÉE SORTIE D.75-1400
5	*4404160825	*"BRAS DE REPARTITEUR 11/2"" 460 M/M."	11	*4404161453	ENTRÉE SORTIE D.90-1050-1200-1400
5	*4404160826	*"BRAS DE REPARTITEUR 11/2"" 525 M/M."	11	*4404161454	ENTRÉE SORTIE D.110-1400
6	4404160109	*"PURGE D'EAU 3/4""	11	*4404161455	ENTRÉE SORTIE D.90-1600-1800
7	*4404160107	PURGE SABLE 90	11	*4404161456	ENTRÉE SORTIE D.110-1600-1800-2000
7	*4404160405	PURGE SABLE 140	11	*4404161457	ENTRÉE SORTIE D.125-1600-1800
8	*4404160108	PLAQUE PLEINE POUR VIDANGE SABLE 90 + JOINT	11	*4404161458	ENTRÉE SORTIE D.140-1800
8	*4404160406	PLAQUE PLEINE POUR VIDANGE SABLE 140 + JOINT	11	*4404161459	ENTRÉE SORTIE D.125-2000
9	*4404161449	ENSEMBLE VOISSERIE DÉCHARGE SABLE .90	11	*4404161460	ENTRÉE SORTIE D.140-2000

CODE **00687, 00688, 00689, 00690, 00691, 00692, 00694, 00696, 00697, 00698, 00699, 00702, 00703, 00705, 00706, 00707, 00710, 00711, 05083**

DESCRIPTION: **FILTRE PRAGA 2,5 KG. D. 1050-1200-1400-1600**

11	* 4404161461	ENTRÉE SORTIE D.160-2000	20	* 4404160121	ENSEMBLE COLLECTEUR BP.1200-75
12	4404170105	CORPS FACADE MANOMETRES	20	* 4404160122	ENSEMBLE COLLECTEUR BP.1200-90
13	4404170102	MANOMETRE 3 BARS	20	* 4404160123	ENSEMBLE COLLECTEUR BP.1400-75
14	4404170104	RACCORD FACADE + TUBE	20	* 4404160124	ENSEMBLE COLLECTEUR BP.1400-90
15	4404170103	PURGE D'AIR	20	* 4404160125	ENSEMBLE COLLECTEUR BP.1400-110
16	4404080104	MANOMETRE COMPLET	20	* 4404160126	ENSEMBLE COLLECTEUR BP.1600-90 + SUPPORT
17	4404010103	"MANOMETRE 1/8" 3 KG./CM"	20	* 4404160127	ENSEMBLE COLLECTEUR BP.1600-110 + SUPPORT
18	* 4404161615	ENSEMBLE BRAS DE REPARTITEUR D. 1050	20	* 4404160128	ENSEMBLE COLLECTEUR BP.1600-125 + SUPPORT
18	* 4404160117	ENSEMBLE BRAS DE REPARTITEUR D. 1200	20	* 4404160129	ENSEMBLE COLLECTEUR BP.1800-90 + SUPPORT
18	* 4404161617	ENSEMBLE BRAS DE REPARTITEUR D. 1400	20	* 4404160130	ENSEMBLE COLLECTEUR BP.1800-110 + SUPPORT
18	* 4404160118	ENSEMBLE BRAS DE REPARTITEUR D. 1600	20	* 4404160131	ENSEMBLE COLLECTEUR BP.1800-125 + SUPPORT
18	* 4404160119	ENSEMBLE BRAS DE REPARTITEUR D. 1800	20	* 4404160132	ENSEMBLE COLLECTEUR BP.1800-140 + SUPPORT
18	* 4404160120	ENSEMBLE BRAS DE REPARTITEUR D. 2000	20	* 4404160133	ENSEMBLE COLLECTEUR BP.2000-110 + SUPPORT
19	* 4404160079	ENSEMBLE DIFFUSEUR BP.1050-63	20	* 4404160134	ENSEMBLE COLLECTEUR BP.2000-125 + SUPPORT
19	* 4404160080	ENSEMBLE DIFFUSEUR BP.1050-75	20	* 4404160135	ENSEMBLE COLLECTEUR BP.2000-140 + SUPPORT
19	* 4404160081	ENSEMBLE DIFFUSEUR BP.1050-90	20	* 4404160136	ENSEMBLE COLLECTEUR BP.2000-160 + SUPPORT
19	* 4404160082	ENSEMBLE DIFFUSEUR BP.1200-75	21	4404160144	JOINT SORTIE D. 63 - 75
19	* 4404160083	ENSEMBLE DIFFUSEUR BP.1200-90	22	* 00703R0500	SUPPORT DIFFUSEUR D.110 - 1400
19	* 4404160084	ENSEMBLE DIFFUSEUR BP.1400-75	22	* 00690R0500	SUPPORT DIFFUSEUR D.90 - 1600
19	* 4404160085	ENSEMBLE DIFFUSEUR BP.1400-90	22	* 00697R0400	SUPPORT DIFFUSEUR D.110 - 1600
19	* 4404160086	ENSEMBLE DIFFUSEUR BP.1400-110	22	* 00710R0500	SUPPORT DIFFUSEUR D.125 - 1600
19	* 4404160087	ENSEMBLE DIFFUSEUR BP.1600-90	22	* 00691R0400	SUPPORT DIFFUSEUR D.90 - 1800
19	* 4404160088	ENSEMBLE DIFFUSEUR BP.1600-110	22	* 00698R0400	SUPPORT DIFFUSEUR D.110 - 1800
19	* 4404160089	ENSEMBLE DIFFUSEUR BP.1600-125	22	* 00705R0400	SUPPORT DIFFUSEUR D.125 - 1800
19	* 4404160090	ENSEMBLE DIFFUSEUR BP.1800-90	22	* 00711R0500	SUPPORT DIFFUSEUR D.140 - 1800
19	* 4404160091	ENSEMBLE DIFFUSEUR BP.1800-110	22	* 00692R0400	SUPPORT DIFFUSEUR D.110 - 2000
19	* 4404160092	ENSEMBLE DIFFUSEUR BP.1800-125	22	* 00699R0400	SUPPORT DIFFUSEUR D.125 - 200
19	* 4404160093	ENSEMBLE DIFFUSEUR BP.1800-140	22	* 00706R0400	SUPPORT DIFFUSEUR D.140 - 2000
19	* 4404160094	ENSEMBLE DIFFUSEUR BP.2000-110	22	* 05083R0500	SUPPORT DIFFUSEUR D.160 - 2000
19	* 4404160095	ENSEMBLE DIFFUSEUR BP.2000-125	23	* 00687R0101	SOCLE D.1050
19	* 4404160096	ENSEMBLE DIFFUSEUR BP.2000-140	23	* 00546R0101	SOCLE D.1200
19	* 4404160097	ENSEMBLE DIFFUSEUR BP.2000-160	23	* 00689R0101	SOCLE D.1400
20	* 4404160098	ENSEMBLE COLLECTEUR BP.1050-63	23	* 00690R0101	SOCLE D.1600
20	* 4404160099	ENSEMBLE COLLECTEUR BP.1050-75	23	* 00691R0101	SOCLE D.1800
20	* 4404160100	ENSEMBLE COLLECTEUR BP.1050-90	23	* 00692R0101	SOCLE D.2000

CODE 00687, 00688, 00689, 00690, 00691, 00692, 00694, 00696, 00697, 00698, 00699, 00702, 00703, 00705, 00706, 00707, 00710, 00711, 05083

DESCRIPTION: FILTRE PRAGA 2,5 KG. D. 1050-1200-1400-1600

OBSERVATIONS

POSICIÓN	PIEZA	OBSERVACIÓN
5	4404160818	PARA (00690-2) (00697-2) (00710-2) (00691-2) (00698_2) (00705-2) (00711-2) (00692-2) (00699-2) (00699-2) (00706-2) (05083-2)
5	4404160819	PARA (00691-12) (00698-12) (00705-12) (00711-12)
5	4404160820	PARA (00687-2) (00694-2) (00707-2) (00688-2) (00702-2) (00690-10) (00697-10) (00710-10) (00692-12) (00699-12) (00706-12) (05088-12)
5	4404160821	PARA (00689-2) (00696-2) (00703-2) (00690-2) (00697-2) (00710-2)
5	4404160822	PARA (00687-2) (00694-2) (00707-2) (00689-2) (00696-2) (00703-2) (00690-3) (00697-3) (00710-3)
5	4404160823	PARA (00687-3) (00694-3) (00707-3) (00688-2) (00702-2) (00691-2) (00698-2) (00705-2) (00711-2) (00692-2) (00699-2) (00706-2) (05083-2)
5	4404160824	PARA (00688-3) (00702-3) (00691-2) (00698-2) (00705-2) (00711-2) (00692-2) (00699-2) (00706-2) (05083-2)
5	4404160825	PARA (00689-2) (00696-2) (00703-2) (00691-3) (00698-3) (00705-3) (00711-3) (00692-3) (00699-3) (00706-3) (05083-3)
5	4404160826	PARA (00689-3) (00696-3) (00703-3)
7	4404160107	PARA 00687, 00694, 00707, 00688, 00702, 00689, 00696, 00703
7	4404160405	PARA 00690, 00697, 00710, 00691, 00698, 00705, 00711, 00692, 00699, 00706, 05083
8	4404160108	PARA 00687, 00694, 00707, 00688, 00702, 00689, 00696, 00703
8	4404160406	PARA 00690, 00697, 00710, 00691, 00698, 00705, 00711, 00692, 00699, 00706, 05083
9	4404161449	PARA 00687, 00694, 00707, 00688, 00702, 00689, 00696, 00703, 00690, 00697, 00691, 00698, 00692
9	4404160147	PARA 00710, 00705, 00711, 00699, 00706, 05083
10	4404070206	PARA 00687
10	4404160110	PARA 00694, 00688, 00689
10	4404160111	PARA 00707, 00702, 00696, 00690, 00691
10	4404160113	PARA 00703, 00697, 00698, 00692
10	4404160509	PARA 00710, 00705, 00699
10	4404160515	PARA 00711, 00706
10	4404160610	PARA 05083
11	4404161450	PARA 00687
11	4404161451	PARA 00694, 00688
11	4404161452	PARA 00689
11	4404161453	PARA 00707, 00702, 00696
11	4404161454	PARA 00703
11	4404161455	PARA 00690, 00691
11	4404161456	PARA 00697, 00698, 00692
11	4404161457	PARA 00710, 00705
11	4404161458	PARA 00711
11	4404161459	PARA 00699
11	4404161460	PARA 00706
11	4404161461	PARA 05083
18	4404161615	PARA 00687, 00694, 00707
18	4404160117	PARA 00688, 00702
18	4404161617	PARA 00689, 00696, 00703
18	4404160118	PARA 00690, 00697, 00710
18	4404160119	PARA 00691, 00698, 00705, 00711
18	4404160120	PARA 00692, 00699, 00706, 05083
19	4404160079	PARA 00687
19	4404160080	PARA 00694
19	4404160081	PARA 00707
19	4404160082	PARA 00688
19	4404160083	PARA 00702
19	4404160084	PARA 00689
19	4404160085	PARA 00696
19	4404160086	PARA 00703
19	4404160087	PARA 00690
19	4404160088	PARA 00697
19	4404160089	PARA 00710
19	4404160090	PARA 00691
19	4404160091	PARA 00698
19	4404160092	PARA 00705
19	4404160093	PARA 00711
19	4404160094	PARA 00692
19	4404160095	PARA 00699
19	4404160096	PARA 00706

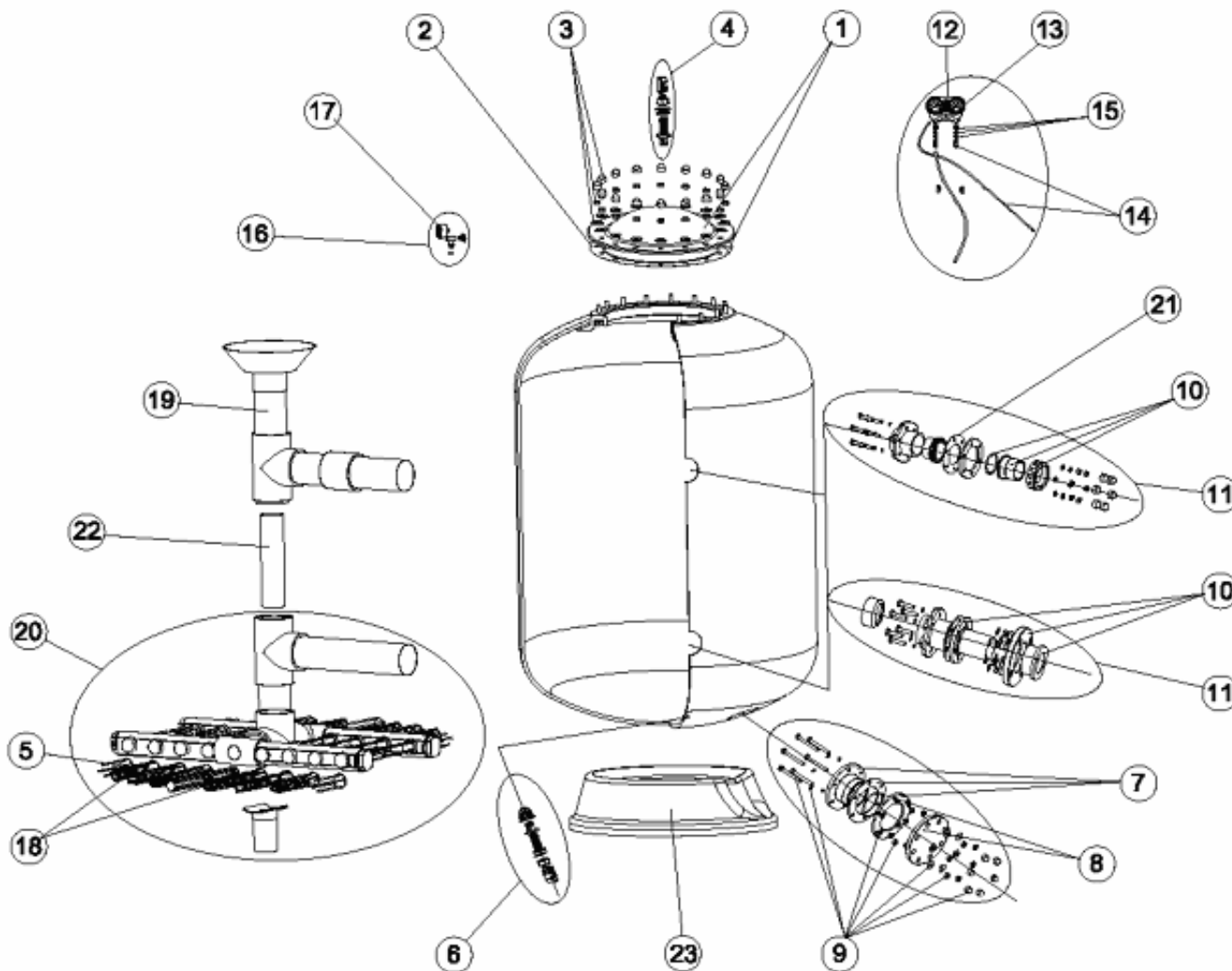
CODE **00687, 00688, 00689, 00690, 00691, 00692, 00694, 00696, 00697, 00698, 00699, 00702, 00703, 00705, 00706, 00707, 00710, 00711, 05083**

DESCRIPTION: **FILTRE PRAGA 2,5 KG. D. 1050-1200-1400-1600**

19	4404160097	PARA 05083
20	4404160098	PARA 00687
20	4404160099	PARA 00694
20	4404160100	PARA 00707
20	4404160121	PARA 00688
20	4404160122	PARA 00702
20	4404160123	PARA 00689
20	4404160124	PARA 00696
20	4404160125	PARA 00703
20	4404160126	PARA 00690
20	4404160127	PARA 00697
20	4404160128	PARA 00710
20	4404160129	PARA 00691
20	4404160130	PARA 00698
20	4404160131	PARA 00705
20	4404160132	PARA 00711
20	4404160133	PARA 00692
20	4404160134	PARA 00699
20	4404160135	PARA 00706
20	4404160136	PARA 05083
22	00703R0500	PARA 00703
22	00690R0500	PARA 00690
22	00697R0400	PARA 00697
22	00710R0500	PARA 00710
22	00691R0400	PARA 00691
22	00698R0400	PARA 00698
22	00705R0400	PARA 00705
22	00711R0500	PARA 00711
22	00692R0400	PARA 00692
22	00699R0400	PARA 00699
22	00706R0400	PARA 00706
22	05083R0500	PARA 05083
23	00687R0101	PARA 00687, 00694, 00707
23	00546R0101	PARA 00688, 00702
23	00689R0101	PARA 00689, 00696, 00703
23	00690R0101	PARA 00690, 00697, 00710
23	00691R0101	PARA 00691, 00698, 00705, 00711
23	00692R0101	PARA 00692, 00699, 00706, 05083

CODICE **00687, 00688, 00689, 00690, 00691, 00692, 00694, 00696, 00697, 00698, 00699, 00702, 00703, 00705, 00706, 00707, 00710, 00711, 05083**

DESCRIZIONE: **FILTRO PRAGA 2,5 KG D. 1050-1200-1400-1600**



ITALIANO

POS	CODICE	DESCRIZIONE	POS	CODICE	DESCRIZIONE
1	4404160105	COPERCHIO FILTRO + GUARNIZIONE	9	*4404160147	KIT VITI SCARICO SABBIA D.140
2	4404160101	O-RING COPERCHIO	10	*4404070206	GHIERA BOCCHETONE 63
3	4404160103	BULLONERIA COPERCHIO FILTRO	10	*4404160110	FLANGIA RACCORDO 75 + MANICOTTO
4	4404160106	*SFIATO ARIA 3/4***	10	*4404160111	FLANGIA RACCORDO 90 + MANICOTTO
5	*4404160818	*CANDELOTTO COLLETORE 11/2" 90 MM.*	10	*4404160113	FLANGIA RACCORDO 110 + MANICOTTO
5	*4404160819	*CANDELOTTO COLLETORE 11/2" 160 MM.*	10	*4404160509	FLANGIA RACCORDO 125 + MANICOTTO
5	*4404160820	*CANDELOTTO COLLETORE 11/2" 225 MM.*	10	*4404160515	FLANGIA RACCORDO 140 + MANICOTTO
5	*4404160821	*CANDELOTTO COLLETORE 11/2" 260 MM.*	10	*4404160610	FLANGIA 160 PVC + MANICOTTO
5	*4404160822	*CANDELOTTO COLLETORE 11/2" 325 MM.*	11	*4404161450	KIT ENTRATA USCITA D.63-1050
5	*4404160823	*CANDELOTTO COLLETORE 11/2" 360 MM.*	11	*4404161451	KIT ENTRATA USCITA D.75-1050-1200
5	*4404160824	*CANDELOTTO COLLETORE 11/2" 425 MM.*	11	*4404161452	KIT ENTRATA USCITA D.75-1400
5	*4404160825	*CANDELOTTO COLLETORE 11/2" 460 MM.*	11	*4404161453	KIT ENTRATA USCITA D.90-1050-1200-1400
5	*4404160826	*CANDELOTTO COLLETORE 11/2" 525 MM.*	11	*4404161454	KIT ENTRATA USCITA D.110-1400
6	4404160109	*SCARICO ACQUA 3/4***	11	*4404161455	KIT ENTRATA USCITA D.90-1600-1800
7	*4404160107	SCARICO SABBIA 90	11	*4404161456	KIT ENTRATA USCITA D.110-1600-1800-2000
7	*4404160405	SCARICO SABBIA 140	11	*4404161457	KIT ENTRATA USCITA D.125-1600-1800
8	*4404160108	FLANGIA CIECA 90 + GUARNIZIONE	11	*4404161458	KIT ENTRATA USCITA D.140-1800
8	*4404160406	FLANGIA CIECA 140 + GUARNIZIONE	11	*4404161459	KIT ENTRATA USCITA D.125-2000
9	*4404161449	KIT VITI SCARICO SABBIA D.90	11	*4404161460	KIT ENTRATA USCITA D.140-2000

CODICE 00687, 00688, 00689, 00690, 00691, 00692, 00694, 00696, 00697, 00698, 00699, 00702, 00703, 00705, 00706, 00707, 00710, 00711, 05083

DESCRIZIONE: FILTRO PRAGA 2,5 KG D. 1050-1200-1400-1600

11	* 4404161461	KIT ENTRATA USCITA D.160-2000	20	* 4404160121	KIT COLLETTORE BP.1200-75
12	4404170105	CORPO PANNELLO MANOMETRI	20	* 4404160122	KIT COLLETTORE BP.1200-90
13	4404170102	MANOMETRO 3 ATM	20	* 4404160123	KIT COLLETTORE BP.1400-75
14	4404170104	RACCORDO PANNELLO + TUBO	20	* 4404160124	KIT COLLETTORE BP.1400-90
15	4404170103	SFIATO PANNELLO MANOMETRI	20	* 4404160125	KIT COLLETTORE BP.1400-110
16	4404080104	MANOMETRO COMPLETO	20	* 4404160126	KIT COLLETTORE BP.1600-90 + SUPPORTO
17	4404010103	"MANOMETRO 1/8" 3 KG./CM"	20	* 4404160127	KIT COLLETTORE BP.1600-110 + SUPPORTO
18	* 4404161615	GRUPPO CANDELOTTO COLLETTORE D. 1050	20	* 4404160128	KIT COLLETTORE BP.1600-125 + SUPPORTO
18	* 4404160117	GRUPPO CANDELOTTO COLLETTORE D. 1200	20	* 4404160129	KIT COLLETTORE BP.1800-90 + SUPPORTO
18	* 4404161617	GRUPPO CANDELOTTO COLLETTORE D. 1400	20	* 4404160130	KIT COLLETTORE BP.1800-110 + SUPPORTO
18	* 4404160118	GRUPPO CANDELOTTO COLLETTORE D. 1600	20	* 4404160131	KIT COLLETTORE BP.1800-125 + SUPPORTO
18	* 4404160119	GRUPPO CANDELOTTO COLLETTORE D. 1800	20	* 4404160132	KIT COLLETTORE BP.1600-110 + SUPPORTO
18	* 4404160120	GRUPPO CANDELOTTO COLLETTORE D. 2000	20	* 4404160133	KIT COLLETTORE BP.2000-110 + SUPPORTO
19	* 4404160079	RACCORDO DIFFUSORE BP.1050-63	20	* 4404160134	KIT COLLETTORE BP.2000-125 + SUPPORTO
19	* 4404160080	RACCORDO DIFFUSORE BP.1050-75	20	* 4404160135	KIT COLLETTORE BP.2000-140 + SUPPORTO
19	* 4404160081	RACCORDO DIFFUSORE BP.1050-90	20	* 4404160136	KIT COLLETTORE BP.2000-160 + SUPPORTO
19	* 4404160082	RACCORDO DIFFUSORE BP.1200-75	21	4404160144	GUARNIZIONE USCITA D. 63 - 75
19	* 4404160083	RACCORDO DIFFUSORE BP.1200-90	22	* 00703R0500	SUPPORTO DIFFUSORE FILTRO 1400-110
19	* 4404160084	RACCORDO DIFFUSORE BP.1400-75	22	* 00690R0500	SUPPORTO DIFFUSORE FILTRO 1600-90
19	* 4404160085	RACCORDO DIFFUSORE BP.1400-90	22	* 00697R0400	SUPPORTO DIFFUSORE FILTRO 1600-110
19	* 4404160086	RACCORDO DIFFUSORE BP.1400-110	22	* 00710R0500	SUPPORTO DIFFUSORE FILTRO 1600-125
19	* 4404160087	RACCORDO DIFFUSORE BP.1600-90	22	* 00691R0400	SUPPORTO DIFFUSORE FILTRO 1800-90
19	* 4404160088	RACCORDO DIFFUSORE BP.1600-110	22	* 00698R0400	SUPPORTO DIFFUSORE FILTRO 1800-110
19	* 4404160089	RACCORDO DIFFUSORE BP.1600-125	22	* 00705R0400	SUPPORTO DIFFUSORE FILTRO 1800-125
19	* 4404160090	RACCORDO DIFFUSORE BP.1800-90	22	* 00711R0500	SUPPORTO DIFFUSORE FILTRO 1800-140
19	* 4404160091	RACCORDO DIFFUSORE BP.1800-110	22	* 00692R0400	SUPPORTO DIFFUSORE FILTRO 2000-110
19	* 4404160092	RACCORDO DIFFUSORE BP.1800-125	22	* 00699R0400	SUPPORTO DIFFUSORE FILTRO 2000-125
19	* 4404160093	RACCORDO DIFFUSORE BP.1800-140	22	* 00706R0400	SUPPORTO DIFFUSORE FILTRO 2000-140
19	* 4404160094	RACCORDO DIFFUSORE BP.2000-110	22	* 05083R0500	SUPPORTO DIFFUSORE FILTRO 2000-160
19	* 4404160095	RACCORDO DIFFUSORE BP.2000-125	23	* 00687R0101	BASE FILTRO D 1050
19	* 4404160096	RACCORDO DIFFUSORE BP.2000-140	23	* 00546R0101	BASE FILTRO D 1200-90
19	* 4404160097	RACCORDO DIFFUSORE BP.2000-160	23	* 00689R0101	BASE FILTRO D 1400
20	* 4404160098	KIT COLLETTORE BP.1050-63	23	* 00690R0101	BASE FILTRO D 1600-90
20	* 4404160099	KIT COLLETTORE BP.1050-75	23	* 00691R0101	BASE FILTRO D 1800
20	* 4404160100	KIT COLLETTORE BP.1050-90	23	* 00692R0101	BASE FILTRO 2000-110

CODICE **00687, 00688, 00689, 00690, 00691, 00692, 00694, 00696, 00697, 00698, 00699, 00702, 00703, 00705, 00706, 00707, 00710, 00711, 05083**

DESCRIZIONE: **FILTRO PRAGA 2,5 KG D. 1050-1200-1400-1600**

OSSERVAZIONI

POSIZIÓN	PIEZA	OBSERVACIÓN
5	4404160818	PARA (00690-2) (00697-2) (00710-2) (00691-2) (00698_2) (00705-2) (00711-2) (00692-2) (00699-2) (00699-2) (00706-2) (05083-2)
5	4404160819	PARA (00691-12) (00698-12) (00705-12) (00711-12)
5	4404160820	PARA (00687-2) (00694-2) (00707-2) (00688-2) (00702-2) (00690-10) (00697-10) (00710-10) (00692-12) (00699-12) (00706-12) (05088-12)
5	4404160821	PARA (00689-2) (00696-2) (00703-2) (00690-2) (00697-2) (00710-2)
5	4404160822	PARA (00687-2) (00694-2) (00707-2) (00689-2) (00696-2) (00703-2) (00690-3) (00697-3) (00710-3)
5	4404160823	PARA (00687-3) (00694-3) (00707-3) (00688-2) (00702-2) (00691-2) (00698-2) (00705-2) (00711-2) (00692-2) (00699-2) (00706-2) (05083-2)
5	4404160824	PARA (00688-3) (00702-3) (00691-2) (00698-2) (00705-2) (00711-2) (00692-2) (00699-2) (00706-2) (05083-2)
5	4404160825	PARA (00689-2) (00696-2) (00703-2) (00691-3) (00698-3) (00705-3) (00711-3) (00692-3) (00699-3) (00706-3) (05083-3)
5	4404160826	PARA (00689-3) (00696-3) (00703-3)
7	4404160107	PARA 00687, 00694, 00707, 00688, 00702, 00689, 00696, 00703
7	4404160405	PARA 00690, 00697, 00710, 00691, 00698, 00705, 00711, 00692, 00699, 00706, 05083
8	4404160108	PARA 00687, 00694, 00707, 00688, 00702, 00689, 00696, 00703
8	4404160406	PARA 00690, 00697, 00710, 00691, 00698, 00705, 00711, 00692, 00699, 00706, 05083
9	4404161449	PARA 00687, 00694, 00707, 00688, 00702, 00689, 00696, 00703, 00690, 00697, 00691, 00698, 00692
9	4404160147	PARA 00710, 00705, 00711, 00699, 00706, 05083
10	4404070206	PARA 00687
10	4404160110	PARA 00694, 00688, 00689
10	4404160111	PARA 00707, 00702, 00696, 00690, 00691
10	4404160113	PARA 00703, 00697, 00698, 00692
10	4404160509	PARA 00710, 00705, 00699
10	4404160515	PARA 00711, 00706
10	4404160610	PARA 05083
11	4404161450	PARA 00687
11	4404161451	PARA 00694, 00688
11	4404161452	PARA 00689
11	4404161453	PARA 00707, 00702, 00696
11	4404161454	PARA 00703
11	4404161455	PARA 00690, 00691
11	4404161456	PARA 00697, 00698, 00692
11	4404161457	PARA 00710, 00705
11	4404161458	PARA 00711
11	4404161459	PARA 00699
11	4404161460	PARA 00706
11	4404161461	PARA 05083
18	4404161615	PARA 00687, 00694, 00707
18	4404160117	PARA 00688, 00702
18	4404161617	PARA 00689, 00696, 00703
18	4404160118	PARA 00690, 00697, 00710
18	4404160119	PARA 00691, 00698, 00705, 00711
18	4404160120	PARA 00692, 00699, 00706, 05083
19	4404160079	PARA 00687
19	4404160080	PARA 00694
19	4404160081	PARA 00707
19	4404160082	PARA 00688
19	4404160083	PARA 00702
19	4404160084	PARA 00689
19	4404160085	PARA 00696
19	4404160086	PARA 00703
19	4404160087	PARA 00690
19	4404160088	PARA 00697
19	4404160089	PARA 00710
19	4404160090	PARA 00691
19	4404160091	PARA 00698
19	4404160092	PARA 00705
19	4404160093	PARA 00711
19	4404160094	PARA 00692
19	4404160095	PARA 00699
19	4404160096	PARA 00706

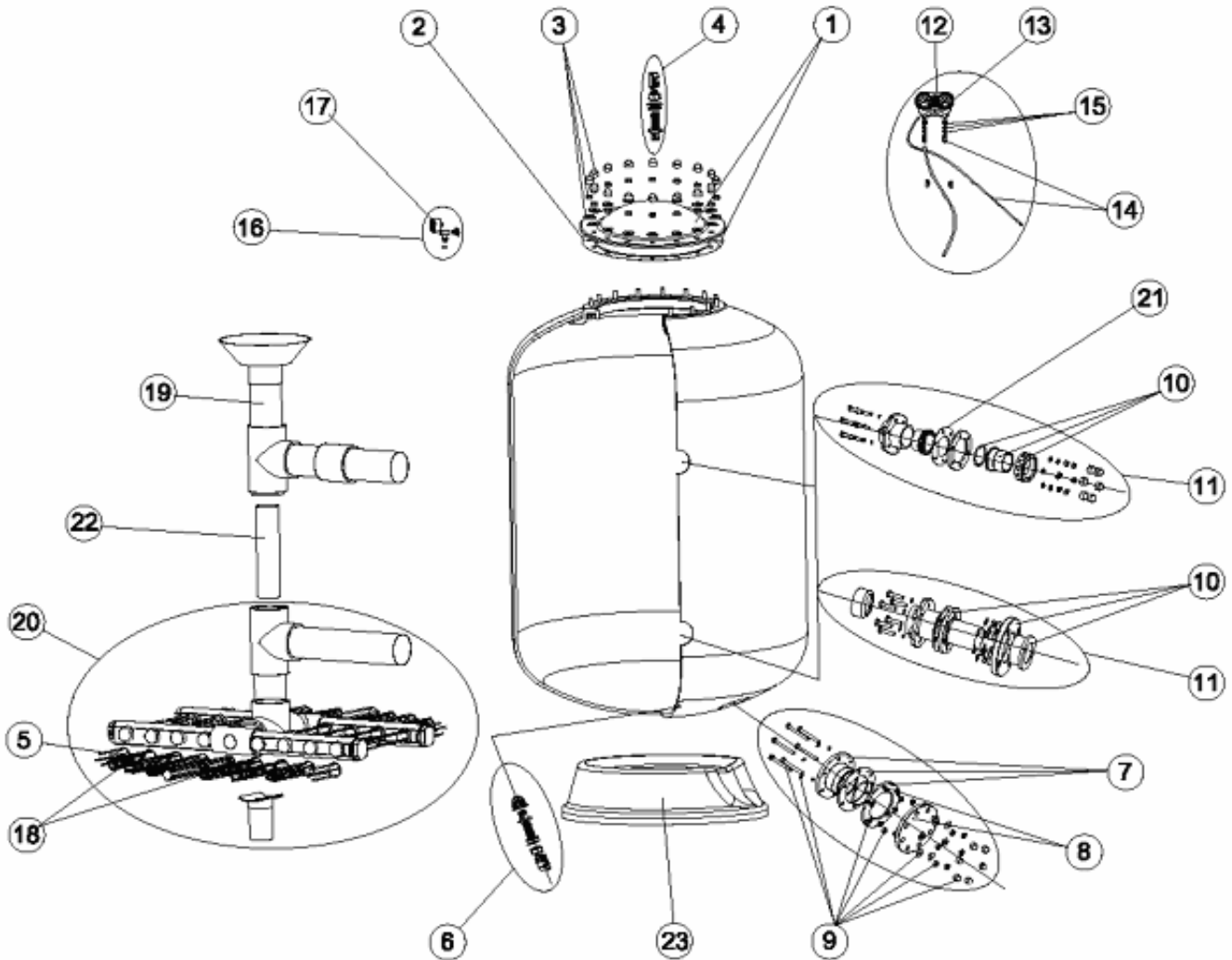
CODICE **00687, 00688, 00689, 00690, 00691, 00692, 00694, 00696, 00697, 00698, 00699, 00702, 00703, 00705, 00706, 00707, 00710, 00711, 05083**

DESCRIZIONE: **FILTRO PRAGA 2,5 KG D. 1050-1200-1400-1600**

19	4404160097	PARA 05083
20	4404160098	PARA 00687
20	4404160099	PARA 00694
20	4404160100	PARA 00707
20	4404160121	PARA 00688
20	4404160122	PARA 00702
20	4404160123	PARA 00689
20	4404160124	PARA 00696
20	4404160125	PARA 00703
20	4404160126	PARA 00690
20	4404160127	PARA 00697
20	4404160128	PARA 00710
20	4404160129	PARA 00691
20	4404160130	PARA 00698
20	4404160131	PARA 00705
20	4404160132	PARA 00711
20	4404160133	PARA 00692
20	4404160134	PARA 00699
20	4404160135	PARA 00706
20	4404160136	PARA 05083
22	00703R0500	PARA 00703
22	00690R0500	PARA 00690
22	00697R0400	PARA 00697
22	00710R0500	PARA 00710
22	00691R0400	PARA 00691
22	00698R0400	PARA 00698
22	00705R0400	PARA 00705
22	00711R0500	PARA 00711
22	00692R0400	PARA 00692
22	00699R0400	PARA 00699
22	00706R0400	PARA 00706
22	05083R0500	PARA 05083
23	00687R0101	PARA 00687, 00694, 00707
23	00546R0101	PARA 00688, 00702
23	00689R0101	PARA 00689, 00696, 00703
23	00690R0101	PARA 00690, 00697, 00710
23	00691R0101	PARA 00691, 00698, 00705, 00711
23	00692R0101	PARA 00692, 00699, 00706, 05083

CODIGO **00687, 00688, 00689, 00690, 00691, 00692, 00694, 00696, 00697, 00698, 00699, 00702, 00703, 00705, 00706, 00707, 00710, 00711, 05083**

DESCRIÇÃO: **FILTRO PRAGA 2,5 KG. D. 1050-1200-1400-1600**



PORTUGUES

POS	CODIGO	DESCRIÇÃO	POS	CODIGO	DESCRIÇÃO
1	4404160105	TAMPA FILTRO + JUNTA	9	*4404160147	ACESSORIOS DESCARGA AREIA D.140
2	4404160101	JUNTA TÓRICA TAMPA	10	*4404070206	PORCA UNIAO 3 PEÇAS 63
3	4404160103	PARAFUSOS TAMPA FILTRO	10	*4404160110	FLANGE RACORD 75 + COLARINHO
4	4404160106	"PURGA AREIA 3/4"	10	*4404160111	FLANGE RACORD 90 + UNIÃO
5	*4404160818	"BRAÇO COLECTOR 11/2" 90 MM."	10	*4404160113	FLANGE RACORD 110 + UNIÃO
5	*4404160819	"BRAÇO COLECTOR 11/2" 160 MM."	10	*4404160509	FLANGE 125 + UNIÃO
5	*4404160820	"BRAÇO COLECTOR 11/2" 225 MM."	10	*4404160515	FLANGE 140 + UNIÃO
5	*4404160821	"BRAÇO COLECTOR 11/2" 260 MM."	10	*4404160610	FLANGE 160 PVC + UNIÃO
5	*4404160822	"BRAÇO COLECTOR 11/2" 325 MM."	11	*4404161450	CJTO. ENTRATA/SAIDA D.63-1050
5	*4404160823	"BRAÇO COLECTOR 11/2" 360 MM."	11	*4404161451	CJTO. ENTRATA/SAIDA D.75-1050-1200
5	*4404160824	"BRAÇO COLECTOR 11/2" 425 MM."	11	*4404161452	CJTO. ENTRATA/SAIDA D.75-140
5	*4404160825	"BRAÇO COLECTOR 11/2" 460 MM."	11	*4404161453	CJTO. ENTRATA/SAIDA D.90-1050-1200-1400
5	*4404160826	"BRAÇO COLECTOR 11/2" 525 MM."	11	*4404161454	CJTO. ENTRATA/SAIDA D.110-1400
6	4404160109	"PURGA ÁGUA 3/4"	11	*4404161455	CJTO. ENTRATA/SAIDA D.90-1600-1800
7	*4404160107	PURGA AREIA 90	11	*4404161456	CJTO. ENTRATA/SAIDA D.110-1600-1800-2000
7	*4404160405	PURGA AREIA 140	11	*4404161457	CJTO. ENTRATA/SAIDA D.125-1600-1800
8	*4404160108	FLANGE CEGA 90 + JUNTA	11	*4404161458	CJTO. ENTRATA/SAIDA D.140-1800
8	*4404160406	FLANGE CEGA 140 + JUNTA	11	*4404161459	CJTO. ENTRATA/SAIDA D.125-2000
9	*4404161449	ACESSORIOS DESCARGA AREIA D.90	11	*4404161460	CJTO. ENTRATA/SAIDA D.140-2000

CODIGO 00687, 00688, 00689, 00690, 00691, 00692, 00694, 00696, 00697, 00698, 00699, 00702, 00703, 00705, 00706, 00707, 00710, 00711, 05083

DESCRIÇÃO: FILTRO PRAGA 2,5 KG. D. 1050-1200-1400-1600

11	* 4404161461	CJTO. ENTRADA/SAIDA D.160-2000	20	* 4404160121	CJTO. COLECTOR BP:1200-75
12	4404170105	CORPO PAINEL MANÔMETRO	20	* 4404160122	CJTO. COLECTOR BP:1200-90
13	4404170102	MANÔMETRO 3 ATM	20	* 4404160123	CJTO. COLECTOR BP:1400-75
14	4404170104	RACORD PAINEL + TUBO	20	* 4404160124	CJTO. COLECTOR BP:1400-90
15	4404170103	PURGA PAINEL MANÔMETROS	20	* 4404160125	CJTO. COLECTOR BP:1400-110
16	4404080104	MANÔMETRO COMPLETO	20	* 4404160126	CJTO. COLECTOR BP:1600-90 + SUPORTE
17	4404010103	"MANÔMETRO 1/8" 3 KG./CM"	20	* 4404160127	CJTO. COLECTOR BP:1600-110 + SUPORTE
18	* 4404161615	CJTO. BRAÇO COLECTOR D.1050	20	* 4404160128	CJTO. COLECTOR BP:1600-125 + SUPORTE
18	* 4404160117	CJTO. BRAÇO COLECTOR D.1200	20	* 4404160129	CJTO. COLECTOR BP:1800-90 + SUPORTE
18	* 4404161617	CJTO. BRAÇO COLECTOR D.1400	20	* 4404160130	CJTO. COLECTOR BP:1800-110 + SUPORTE
18	* 4404160118	CJTO. BRAÇO COLECTOR D.1600	20	* 4404160131	CJTO. COLECTOR BP:1800-125 + SUPORTE
18	* 4404160119	CJTO. BRAÇO COLECTOR D.1800	20	* 4404160132	CJTO. COLECTOR BP:1600-110 + SUPORTE
18	* 4404160120	CJTO. BRAÇO COLECTOR D.2000	20	* 4404160133	CJTO. COLECTOR BP:2000-110 + SUPORTE
19	* 4404160079	CJTO. DIFUSOR BP:1050-63	20	* 4404160134	CJTO. COLECTOR BP:2000-125 + SUPORTE
19	* 4404160080	CJTO. DIFUSOR BP:1050-75	20	* 4404160135	CJTO. COLECTOR BP:2000-140 + SUPORTE
19	* 4404160081	CJTO. DIFUSOR BP:1050-90	20	* 4404160136	CJTO. COLECTOR BP:2000-160 + SUPORTE
19	* 4404160082	CJTO. DIFUSOR BP:1200-75	21	4404160144	JUNTA SAIDA D. 63 - 75
19	* 4404160083	CJTO. DIFUSOR BP:1200-90	22	* 00703R0500	SUPORTE DIFUSOR FILTRO 1.400 - 110
19	* 4404160084	CJTO. DIFUSOR BP:1400-75	22	* 00690R0500	SUPORTE DIFUSOR 1600-90
19	* 4404160085	CJTO. DIFUSOR BP:1400-90	22	* 00697R0400	SUPORTE DIFUSOR 1600-110
19	* 4404160086	CJTO. DIFUSOR BP:1400-110	22	* 00710R0500	SUPORTE DIFUSOR 1600-125
19	* 4404160087	CJTO. DIFUSOR BP:1600-90	22	* 00691R0400	SUPORTE DIFUSOR 1800-90
19	* 4404160088	CJTO. DIFUSOR BP:1600-110	22	* 00698R0400	SUPORTE DIFUSOR 1800-110
19	* 4404160089	CJTO. DIFUSOR BP:1600-125	22	* 00705R0400	SUPORTE DIFUSOR 1800-125
19	* 4404160090	CJTO. DIFUSOR BP:1800-90	22	* 00711R0500	SUPORTE DIFUSOR 1800-140
19	* 4404160091	CJTO. DIFUSOR BP:1800-110	22	* 00692R0400	SUPORTE DIFUSOR 2000-110
19	* 4404160092	CJTO. DIFUSOR BP:1800-125	22	* 00699R0400	SUPORTE DIFUSOR 2000-125
19	* 4404160093	CJTO. DIFUSOR BP:1800-140	22	* 00706R0400	SUPORTE DIFUSOR 2000-140
19	* 4404160094	CJTO. DIFUSOR BP:2000-110	22	* 05083R0500	SUPORTE DIFUSOR 2000-160
19	* 4404160095	CJTO. DIFUSOR BP:2000-125	23	* 00687R0101	PÉ FILTRO D 1050
19	* 4404160096	CJTO. DIFUSOR BP:2000-140	23	* 00546R0101	PÉ FILTRO D 1200-90
19	* 4404160097	CJTO. DIFUSOR BP:2000-160	23	* 00689R0101	PÉ FILTRO D 1400
20	* 4404160098	CJTO. COLECTOR BP:1050-63	23	* 00690R0101	PÉ FILTRO D 1600-90
20	* 4404160099	CJTO. COLECTOR BP:1050-75	23	* 00691R0101	PÉ FILTRO D 1800
20	* 4404160100	CJTO. COLECTOR BP:1050-90	23	* 00692R0101	PÉ FILTRO 2000-110

CODIGO 00687, 00688, 00689, 00690, 00691, 00692, 00694, 00696, 00697, 00698, 00699, 00702, 00703, 00705, 00706, 00707, 00710, 00711, 05083

DESCRIÇÃO: FILTRO PRAGA 2,5 KG. D. 1050-1200-1400-1600

OBSERVAÇÕES

POSICIÓN	PIEZA	OBSERVACIÓN
5	4404160818	PARA (00690-2) (00697-2) (00710-2) (00691-2) (00698_2) (00705-2) (00711-2) (00692-2) (00699-2) (00699-2) (00706-2) (05083-2)
5	4404160819	PARA (00691-12) (00698-12) (00705-12) (00711-12)
5	4404160820	PARA (00687-2) (00694-2) (00707-2) (00688-2) (00702-2) (00690-10) (00697-10) (00710-10) (00692-12) (00699-12) (00706-12) (05088-12)
5	4404160821	PARA (00689-2) (00696-2) (00703-2) (00690-2) (00697-2) (00710-2)
5	4404160822	PARA (00687-2) (00694-2) (00707-2) (00689-2) (00696-2) (00703-2) (00690-3) (00697-3) (00710-3)
5	4404160823	PARA (00687-3) (00694-3) (00707-3) (00688-2) (00702-2) (00691-2) (00698-2) (00705-2) (00711-2) (00692-2) (00699-2) (00706-2) (05083-2)
5	4404160824	PARA (00688-3) (00702-3) (00691-2) (00698-2) (00705-2) (00711-2) (00692-2) (00699-2) (00706-2) (05083-2)
5	4404160825	PARA (00689-2) (00696-2) (00703-2) (00691-3) (00698-3) (00705-3) (00711-3) (00692-3) (00699-3) (00706-3) (05083-3)
5	4404160826	PARA (00689-3) (00696-3) (00703-3)
7	4404160107	PARA 00687, 00694, 00707, 00688, 00702, 00689, 00696, 00703
7	4404160405	PARA 00690, 00697, 00710, 00691, 00698, 00705, 00711, 00692, 00699, 00706, 05083
8	4404160108	PARA 00687, 00694, 00707, 00688, 00702, 00689, 00696, 00703
8	4404160406	PARA 00690, 00697, 00710, 00691, 00698, 00705, 00711, 00692, 00699, 00706, 05083
9	4404161449	PARA 00687, 00694, 00707, 00688, 00702, 00689, 00696, 00703, 00690, 00697, 00691, 00698, 00692
9	4404160147	PARA 00710, 00705, 00711, 00699, 00706, 05083
10	4404070206	PARA 00687
10	4404160110	PARA 00694, 00688, 00689
10	4404160111	PARA 00707, 00702, 00696, 00690, 00691
10	4404160113	PARA 00703, 00697, 00698, 00692
10	4404160509	PARA 00710, 00705, 00699
10	4404160515	PARA 00711, 00706
10	4404160610	PARA 05083
11	4404161450	PARA 00687
11	4404161451	PARA 00694, 00688
11	4404161452	PARA 00689
11	4404161453	PARA 00707, 00702, 00696
11	4404161454	PARA 00703
11	4404161455	PARA 00690, 00691
11	4404161456	PARA 00697, 00698, 00692
11	4404161457	PARA 00710, 00705
11	4404161458	PARA 00711
11	4404161459	PARA 00699
11	4404161460	PARA 00706
11	4404161461	PARA 05083
18	4404161615	PARA 00687, 00694, 00707
18	4404160117	PARA 00688, 00702
18	4404161617	PARA 00689, 00696, 00703
18	4404160118	PARA 00690, 00697, 00710
18	4404160119	PARA 00691, 00698, 00705, 00711
18	4404160120	PARA 00692, 00699, 00706, 05083
19	4404160079	PARA 00687
19	4404160080	PARA 00694
19	4404160081	PARA 00707
19	4404160082	PARA 00688
19	4404160083	PARA 00702
19	4404160084	PARA 00689
19	4404160085	PARA 00696
19	4404160086	PARA 00703
19	4404160087	PARA 00690
19	4404160088	PARA 00697
19	4404160089	PARA 00710
19	4404160090	PARA 00691
19	4404160091	PARA 00698
19	4404160092	PARA 00705
19	4404160093	PARA 00711
19	4404160094	PARA 00692
19	4404160095	PARA 00699
19	4404160096	PARA 00706

CODIGO
**00687, 00688, 00689, 00690, 00691, 00692, 00694, 00696, 00697, 00698,
00699, 00702, 00703, 00705, 00706, 00707, 00710, 00711, 05083**
DESCRIÇÃO:
FILTRO PRAGA 2,5 KG. D. 1050-1200-1400-1600

19	4404160097	PARA 05083
20	4404160098	PARA 00687
20	4404160099	PARA 00694
20	4404160100	PARA 00707
20	4404160121	PARA 00688
20	4404160122	PARA 00702
20	4404160123	PARA 00689
20	4404160124	PARA 00696
20	4404160125	PARA 00703
20	4404160126	PARA 00690
20	4404160127	PARA 00697
20	4404160128	PARA 00710
20	4404160129	PARA 00691
20	4404160130	PARA 00698
20	4404160131	PARA 00705
20	4404160132	PARA 00711
20	4404160133	PARA 00692
20	4404160134	PARA 00699
20	4404160135	PARA 00706
20	4404160136	PARA 05083
22	00703R0500	PARA 00703
22	00690R0500	PARA 00690
22	00697R0400	PARA 00697
22	00710R0500	PARA 00710
22	00691R0400	PARA 00691
22	00698R0400	PARA 00698
22	00705R0400	PARA 00705
22	00711R0500	PARA 00711
22	00692R0400	PARA 00692
22	00699R0400	PARA 00699
22	00706R0400	PARA 00706
22	05083R0500	PARA 05083
23	00687R0101	PARA 00687, 00694, 00707
23	00546R0101	PARA 00688, 00702
23	00689R0101	PARA 00689, 00696, 00703
23	00690R0101	PARA 00690, 00697, 00710
23	00691R0101	PARA 00691, 00698, 00705, 00711
23	00692R0101	PARA 00692, 00699, 00706, 05083